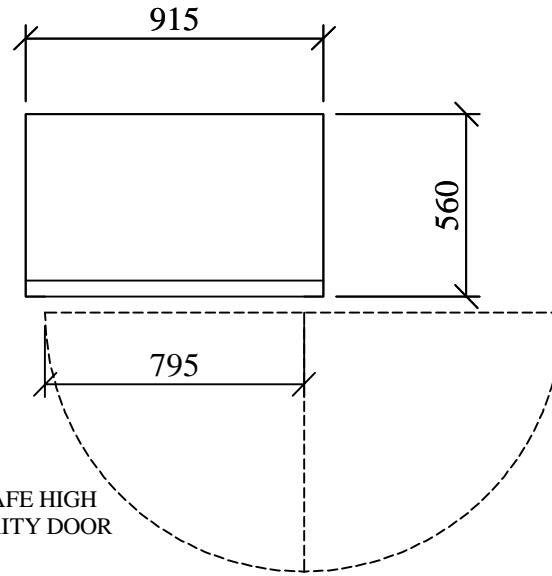
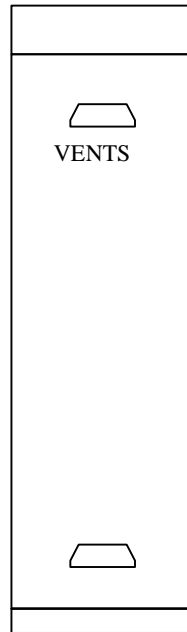


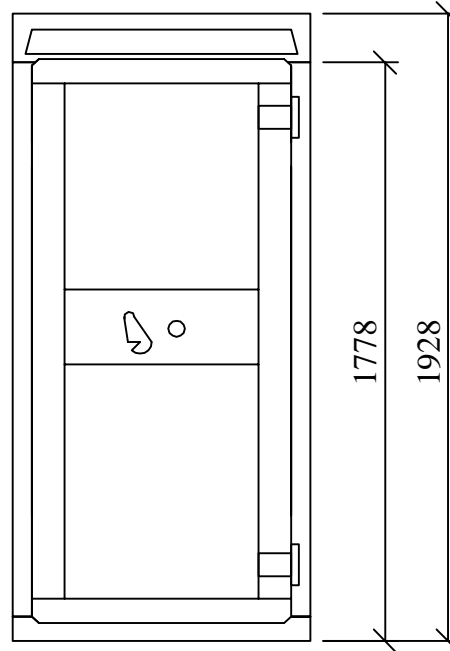
PLAN



SITESAFE HIGH SECURITY DOOR



SECTION



FRONT ELEVATION

<p>DO NOT SCALE</p> <p>REMOVE ALL BURRS AND SHARP EDGES</p>	<p>THIRD ANGLE PROJECTION</p>	<p>REV No DATE</p>	<p>BY</p>	<p>CUSTOMER</p>	<p>CLEVELAND SITESAFE LIMITED</p> <p><small>RIVERSIDE WORKS CLEVELAND T33 8AT 01642 244663</small></p>	<p>DRAWN JWH</p>	<p>DESCRIPTION</p> <p>WORKSHOP CABINET 632</p>
		<p>REV 1 </p>				<p>SCALE</p>	
		<p>REV 2 </p>				<p>DATE 10/06/2014</p>	<p>DRG No JHWEBWORKSHOPC632</p>
		<p>REV 3 </p>					
<p>REV 4 </p>							