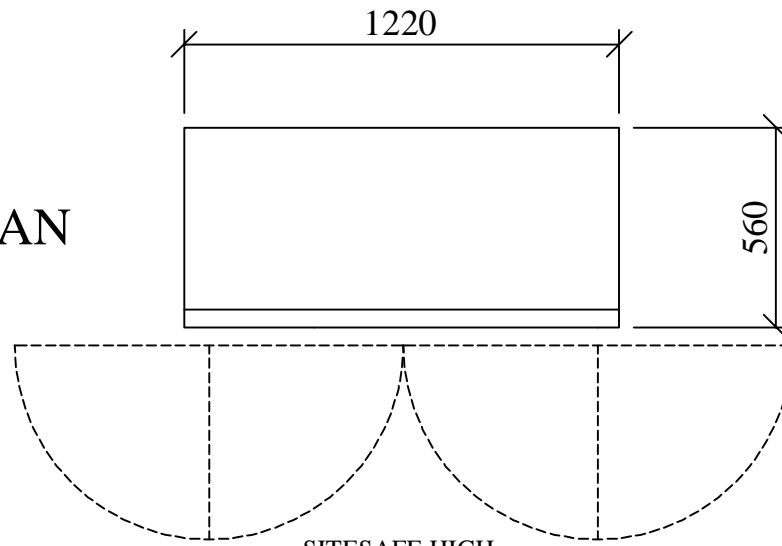
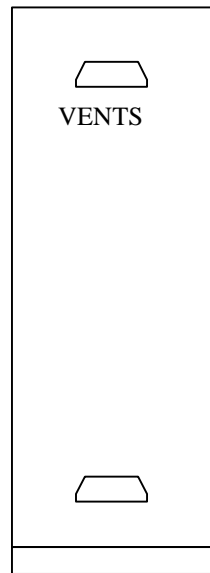


PLAN

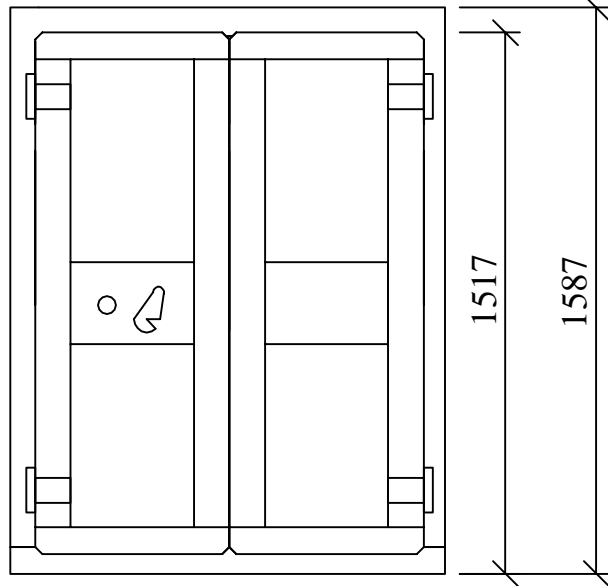


SITESAFE HIGH SECURITY DOORS



VENTS

SECTION



FRONT ELEVATION

<b>DO NOT SCALE</b> REMOVE ALL BURRS AND SHARP EDGES	 THIRD ANGLE PROJECTION	<b>REV No</b>   <b>DATE</b>	<b>BY</b>   CUSTOMER	<b>CLEVELAND SITESAFE LIMITED</b> <small>RIVERSIDE WORKS          CLEVELAND          T33 8AT          01642 244663</small>	<b>DRAWN</b> JWH	<b>DESCRIPTION</b> WORKSHOP CABINET 542
		<b>REV 1</b>			<b>SCALE</b>	
		<b>REV 2</b>			<b>DATE</b> 10/06/2014	<b>DRG No</b>   JHWEBWORKSHOPC542
		<b>REV 3</b>				
<b>REV 4</b>						