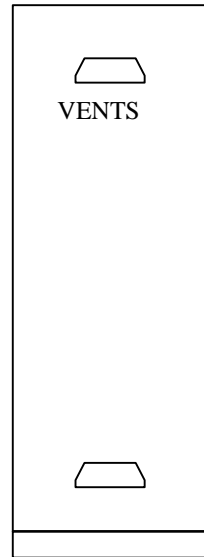
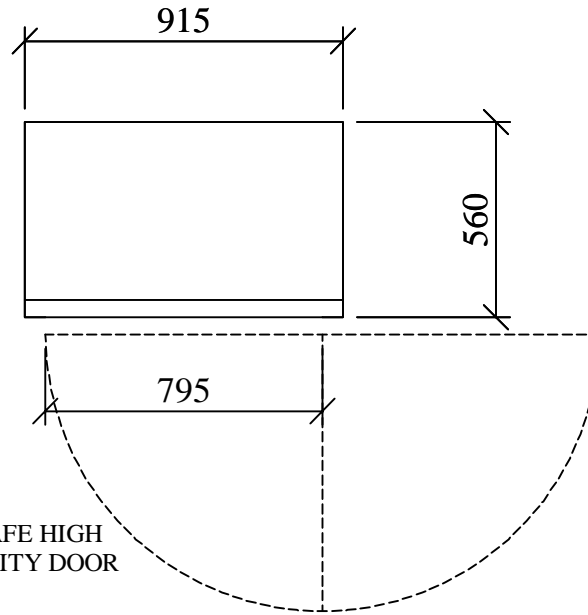
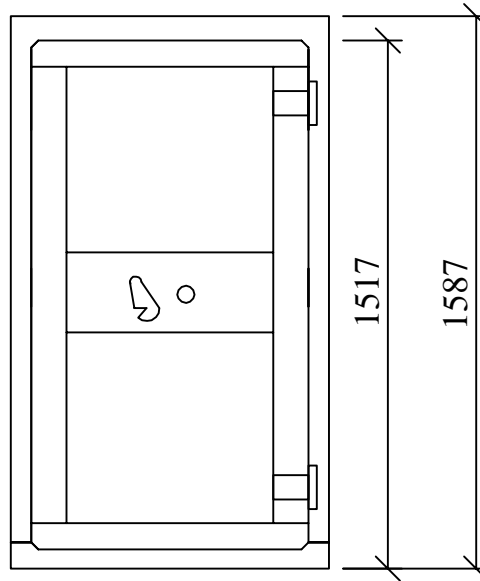


PLAN



SECTION



FRONT ELEVATION

<b>DO NOT SCALE</b> REMOVE ALL BURRS AND SHARP EDGES	 THIRD ANGLE PROJECTION	<b>REV No</b>   <b>DATE</b>	<b>BY</b>   CUSTOMER	<b>CLEVELAND SITESAFE LIMITED</b> <small>RIVERSIDE WORKS CLEVELAND T33 8AT 01642 244663</small>	<b>DRAWN</b>   JWH <b>SCALE</b>	<b>DESCRIPTION</b> WORKSHOP CABINET 532	
		REV 1			DATE	<b>DATE</b>   10/06/2014	<b>DRG No</b>   JHWEBWORKSHOPC532
		REV 2			DATE		
		REV 3			DATE		
REV 4	DATE						