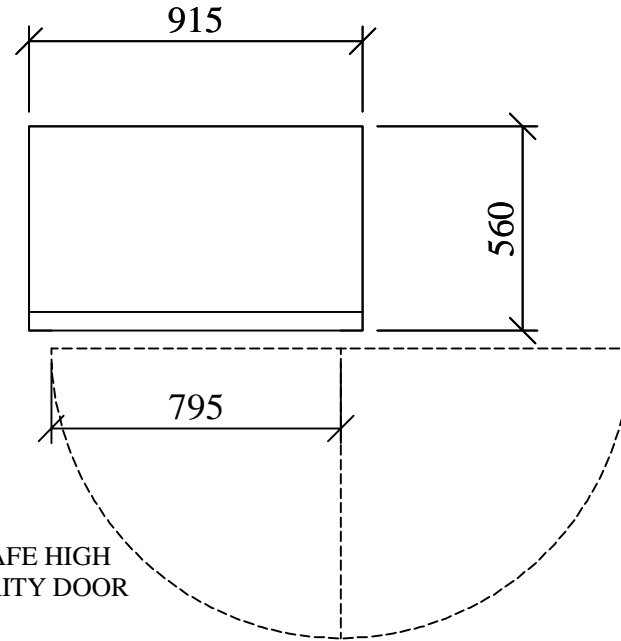
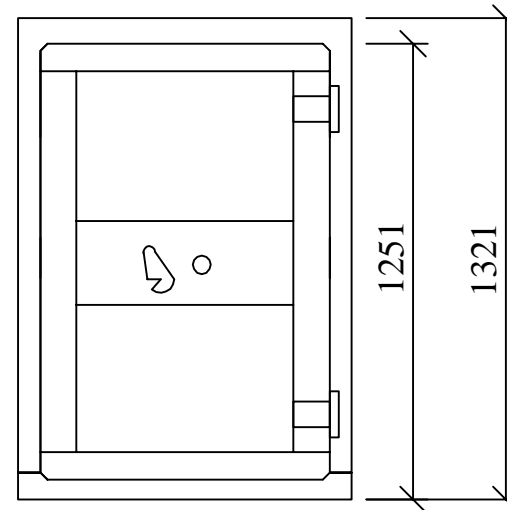


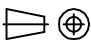
PLAN



SECTION



FRONT ELEVATION

DO NOT SCALE REMOVE ALL BURRS AND SHARP EDGES	 THIRD ANGLE PROJECTION	REV No DATE	BY CUSTOMER	CLEVELAND SITESAFE LIMITED <small>RIVERSIDE WORKS CLEVELAND T33 SAT 01642 244663</small>	DRAWN JWH	DESCRIPTION WORKSHOP CABINET 432
		REV 1			SCALE	
		REV 2			DATE 10/06/2014	DRG No JHWEBWORKSHOPC432
		REV 3				
REV 4						