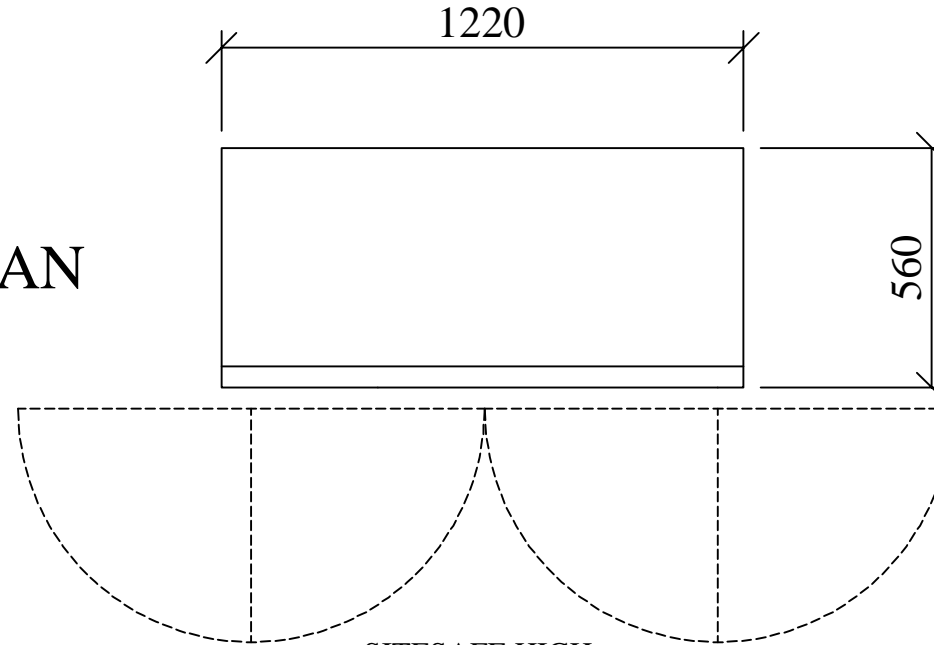
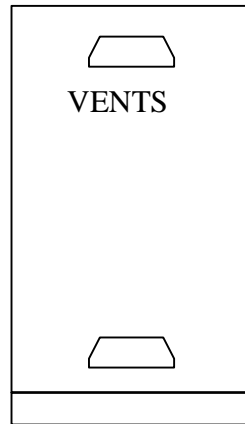


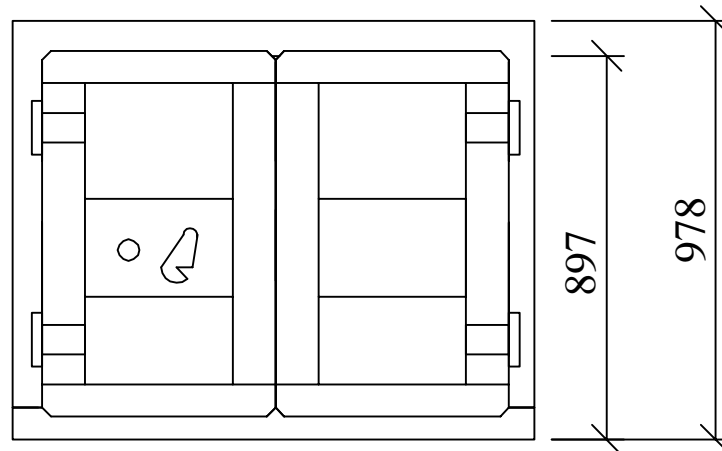
PLAN



SITESAFE HIGH SECURITY DOORS



SECTION



FRONT ELEVATION

DO NOT SCALE REMOVE ALL BURRS AND SHARP EDGES	 THIRD ANGLE PROJECTION	REV No	DATE	BY	CUSTOMER	CLEVELAND SITESAFE LIMITED <small>RIVERSIDE WORKS CLEVELAND T33 SAT 01642 244663</small>	DRAWN	DESCRIPTION
		REV 1					JWH	
		REV 2					SCALE	
		REV 3					DATE	10/06/2014
		REV 4						DRG No JHWEBWORKSHOPC342