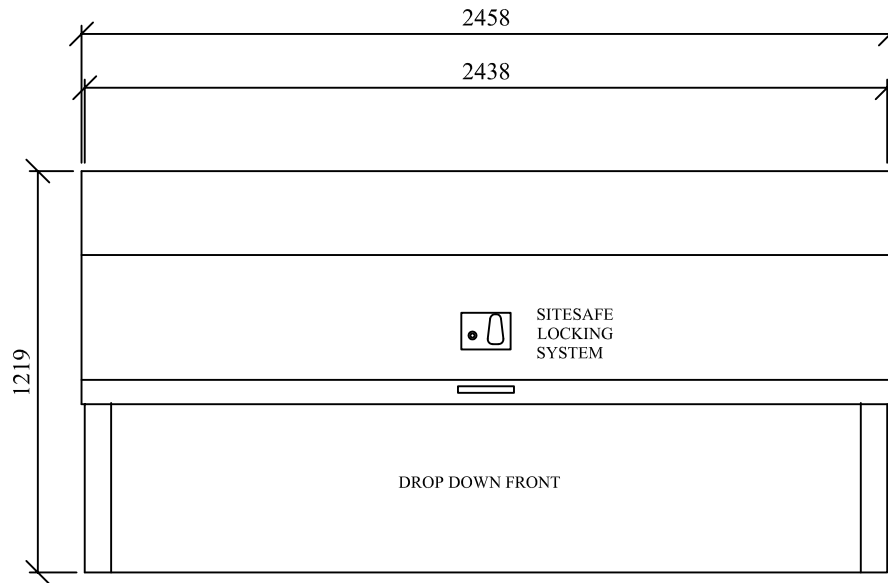
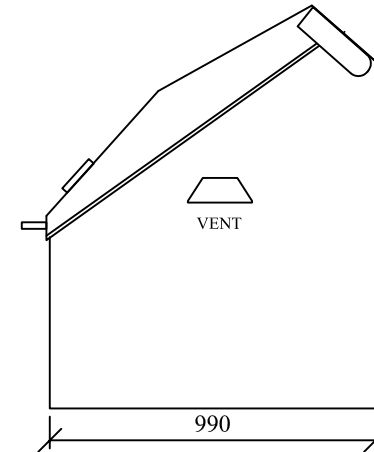


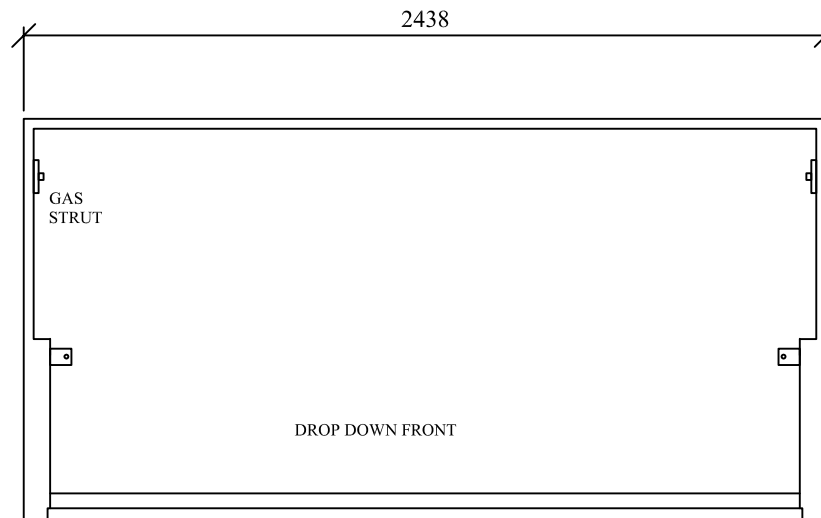
HIGHLY  
SECURE  
VANDAL RESISTANT



FRONT ELEVATION



SIDE ELEVATION



VIEW OF ACCESS  
OPENING - LID  
REMOVED

DO NOT SCALE

REMOVE ALL  
BURRS AND  
SHARP EDGES

THIRD ANGLE  
PROJECTION

REV No	DATE	BY	CUSTOMER
REV 1			
REV 2			
REV 3			
REV 4			

CLEVELAND  
SITESAFE  
LIMITED

RIVERSIDE WORKS  
CLEVELAND  
TS3 RAT  
01642 244663

DRAWN  
JWH  
SCALE  
DATE  
17/10/2012

DESCRIPTION  
UNIVERSAL SPECIAL UNIT  
DRG No UNISPECWEB