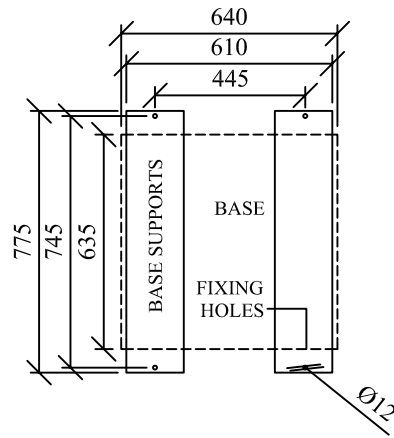
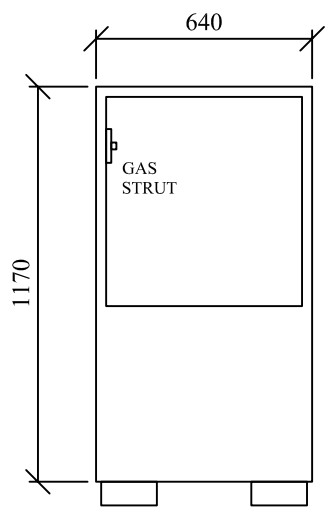


HIGHLY
SECURE
VANDAL RESISTANT

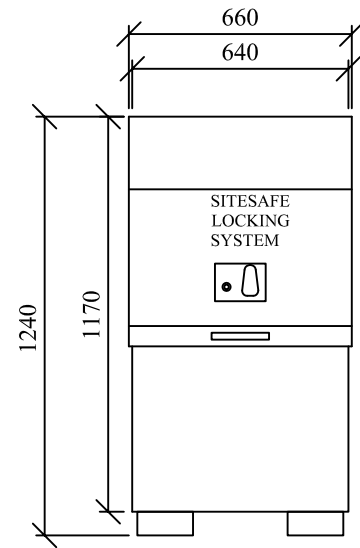


PLAN VIEW
OF UNIT BASE

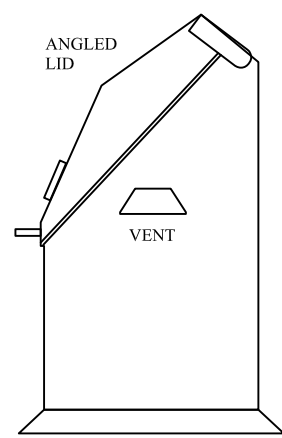


VIEW OF ACCESS
OPENING - LID
REMOVED

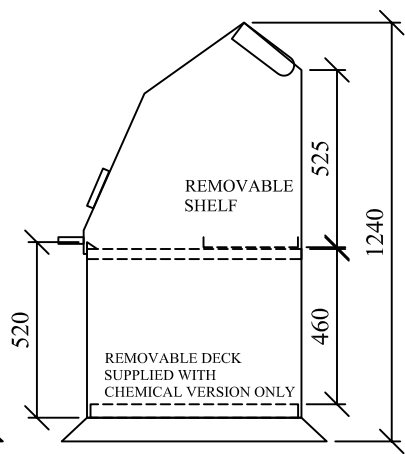
BASE SUPPORTS DOUBLE
AS FORKLIFT POINTS



FRONT ELEVATION



SIDE ELEVATION



SIDE ON SECTION

DO NOT SCALE

REMOVE ALL
BURRS AND
SHARP EDGES



REV No	DATE	BY	CUSTOMER
REV 1			
REV 2			
REV 3			
REV 4			

**CLEVELAND
SITESAFE
LIMITED**

RIVERSIDE WORKS
CLEVELAND
TS3 RAT
01642 244663

DRAWN
JWH
SCALE
DATE
26/06/2009

DESCRIPTION
UNIVERSAL 180 UNIT
DRG No UNI180WEB