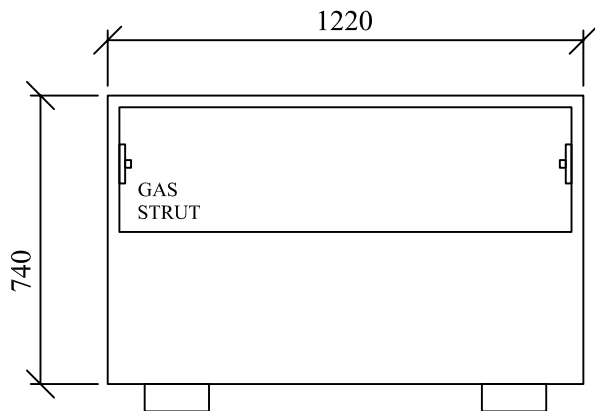
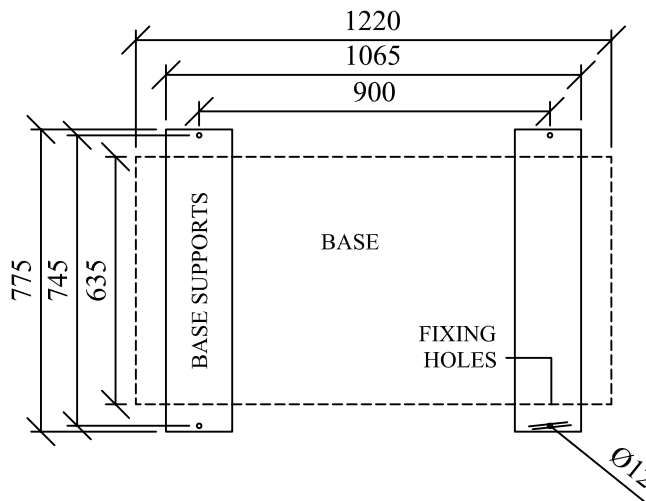
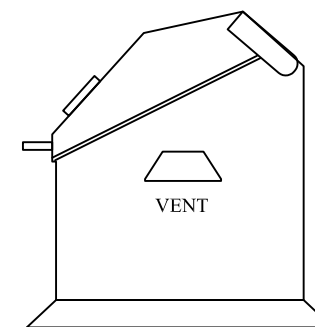
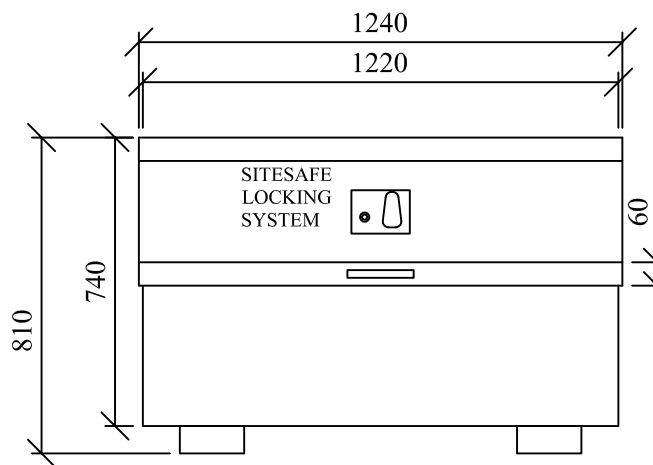


HIGHLY
SECURE
VANDAL RESISTANT



BASE SUPPORTS DOUBLE AS FORKLIFT POINTS



DO NOT SCALE

REMOVE ALL
BURRS AND
SHARP EDGES



REV No	DATE	BY	CUSTOMER
REV 1			
REV 2			
REV 3			
REV 4			

CLEVELAND
SITESAFE
LIMITED

RIVERSIDE WORKS
CLEVELAND
TS3 RAT
01642 244663

DRAWN
JWH
SCALE
DATE
03/12/2010

DESCRIPTION
TRUCKSAFE 4
DRG No TRS4WEB