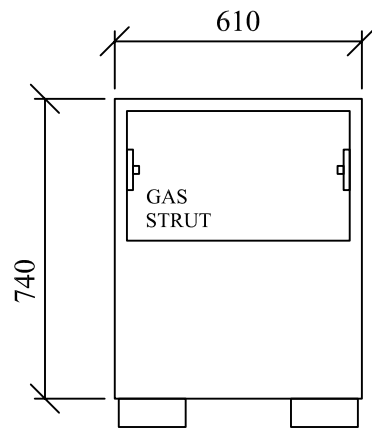
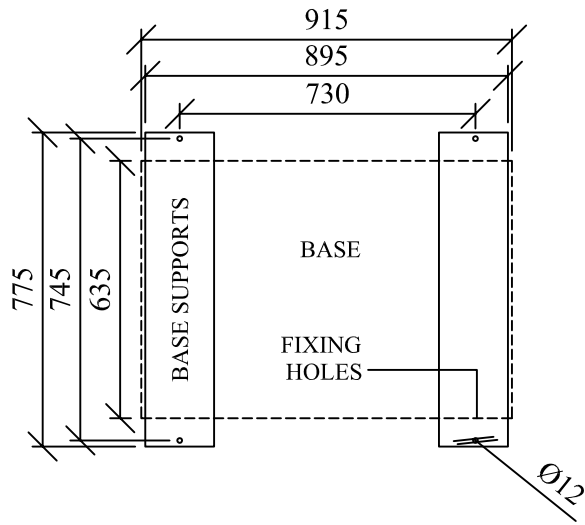
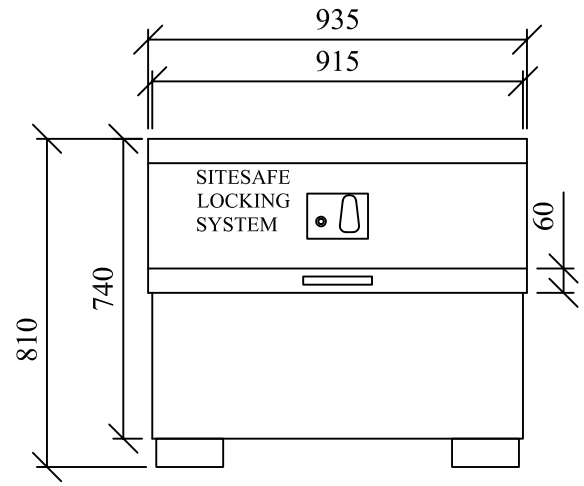


HIGHLY
SECURE
VANDAL RESISTANT

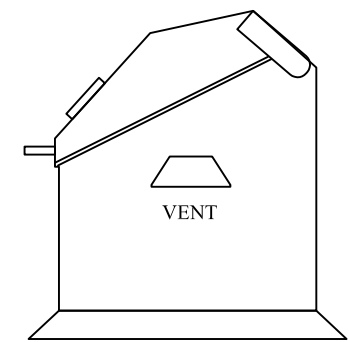


VIEW OF ACCESS
OPENING - LID
REMOVED

BASE SUPPORTS DOUBLE
AS FORKLIFT POINTS



FRONT ELEVATION



SIDE ELEVATION

DO NOT SCALE REMOVE ALL BURRS AND SHARP EDGES	THIRD ANGLE PROJECTION	REV No	DATE	BY	CUSTOMER	CLEVELAND SITESAFE LIMITED	RIVERSIDE WORKS CLEVELAND TS3 RAT 01642.244663	DRAWN	DESCRIPTION
		REV 1						JWH	
		REV 2						SCALE	
		REV 3						DATE	DRG No TRS3WEB
		REV 4						03/12/2010	