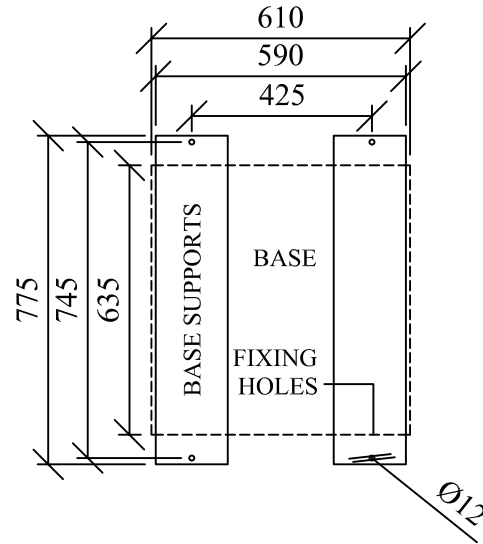
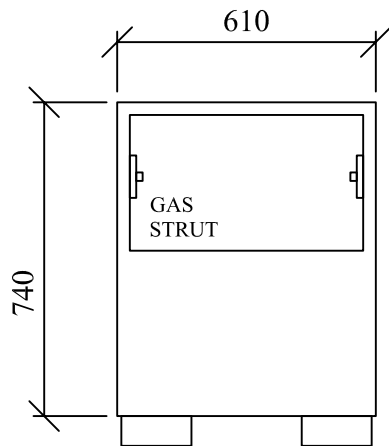


HIGHLY
SECURE
VANDAL RESISTANT

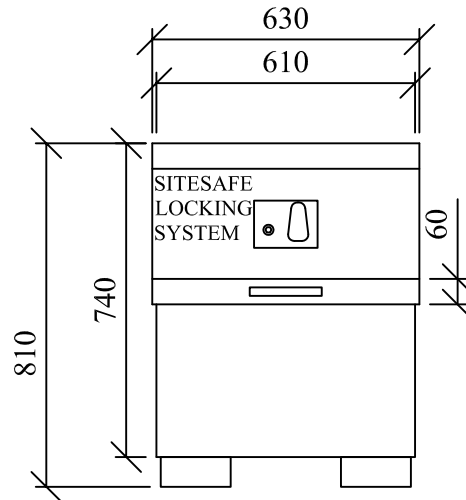


PLAN VIEW
OF UNIT BASE

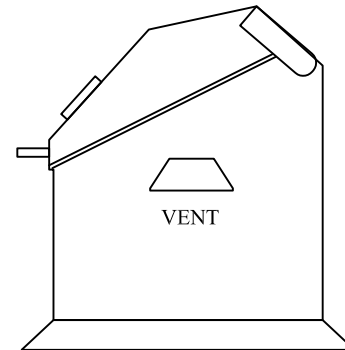


VIEW OF ACCESS
OPENING - LID
REMOVED

BASE SUPPORTS DOUBLE
AS FORKLIFT POINTS



FRONT ELEVATION



SIDE ELEVATION

DO NOT SCALE

REMOVE ALL
BURRS AND
SHARP EDGES

THIRD ANGLE
PROJECTION

| REV No | DATE | BY |
|--------|------|----|
| REV 1 | | |
| REV 2 | | |
| REV 3 | | |
| REV 4 | | |

CUSTOMER

CLEVELAND
SITESAFE
LIMITED

RIVERSIDE WORKS
CLEVELAND
TS3 RAT
01642 244663

DRAWN
JWH
SCALE
DATE
03/12/2010

DESCRIPTION
TRUCKSAFE 2
DRG No TRS2WEB