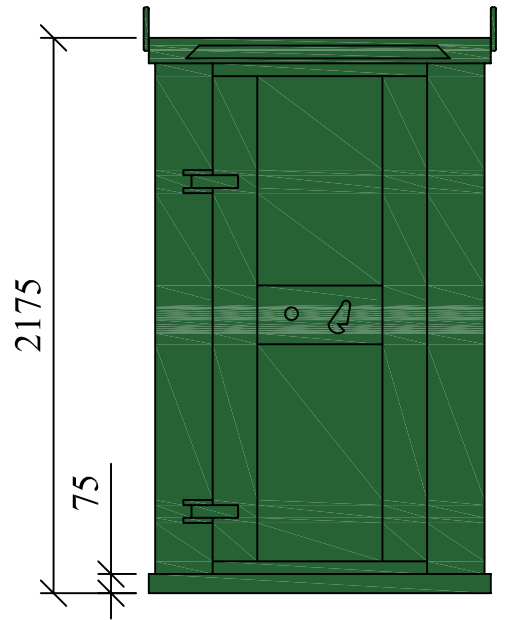
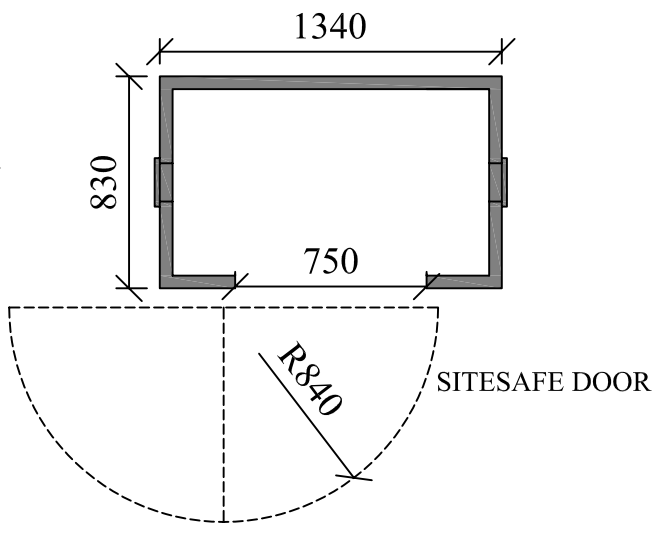
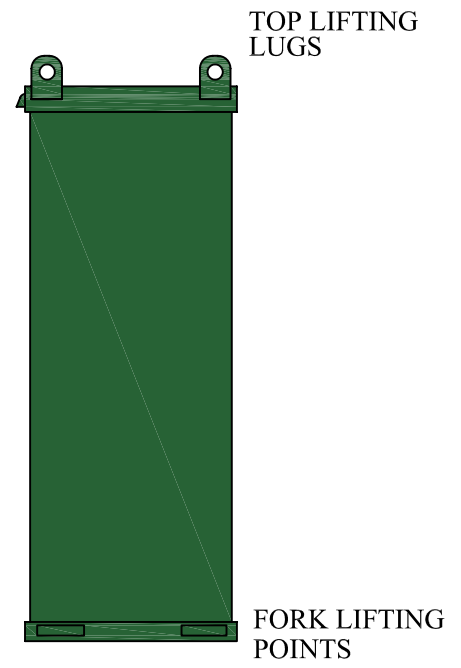


HIGHLY
SECURE
VANDAL RESISTANT

PLAN



FRONT ELEVATION



SIDE ELEVATION

DO NOT SCALE REMOVE ALL BURRS AND SHARP EDGES	 THIRD ANGLE PROJECTION	REV No	DATE	BY	CUSTOMER	CLEVELAND SITESAFE LIMITED <small>RIVERSIDE WORKS CLEVELAND TS3 RAT 01642 244663</small>	DRAWN	DESCRIPTION	
		REV 1					JWH		TOOLSAFE CABINET A
		REV 2						SCALE	
		REV 3						DATE	DRG No WEBTSCABINET A
		REV 4						03/09/2009	