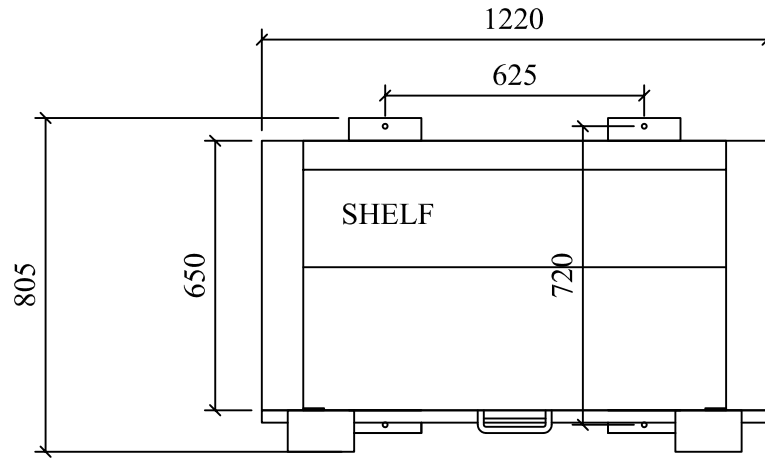
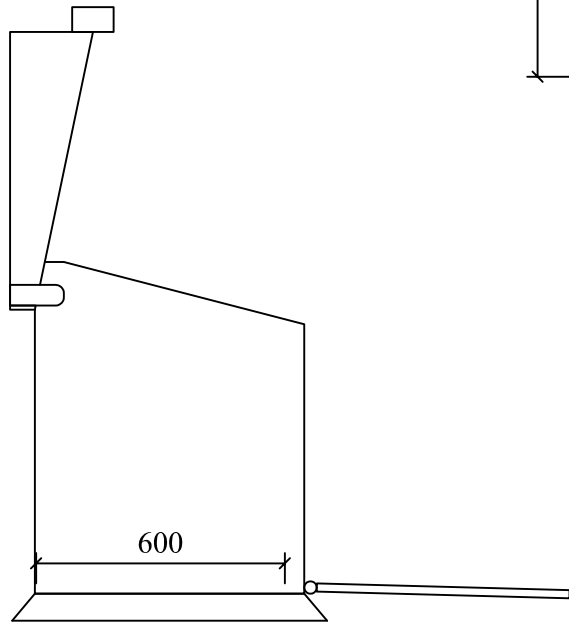


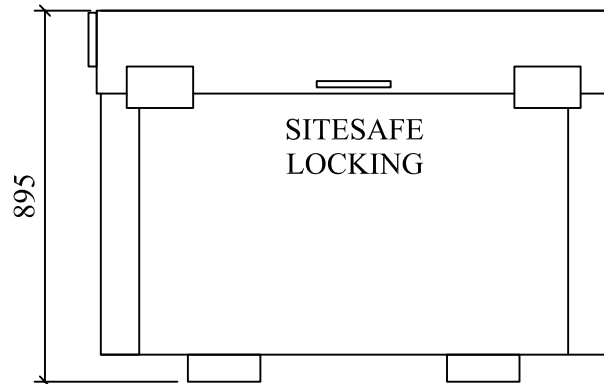
SITEBOX 4'



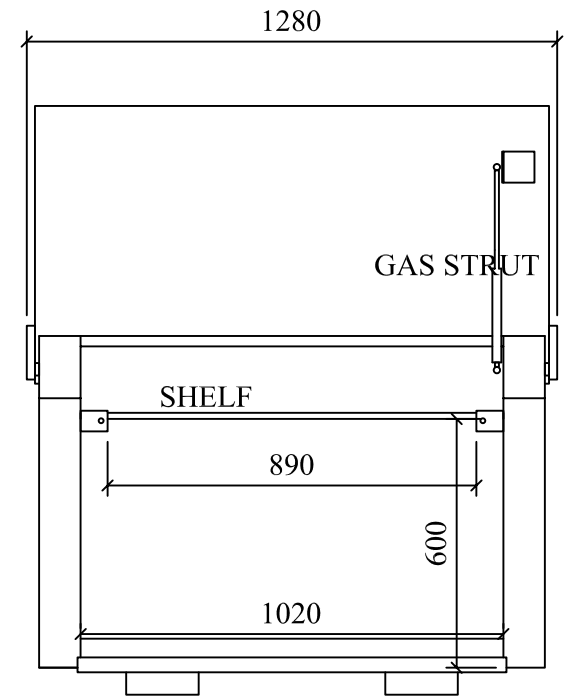
PLAN - CLOSED, LID REMOVED



SIDE ELEVATION
- LID UP AND FRONT DOWN



FRONT ELEVATION - CLOSED



FRONT ELEVATION - OPEN

DO NOT SCALE REMOVE ALL BURRS AND SHARP EDGES	 THIRD ANGLE PROJECTION	REV No	DATE	BY	CUSTOMER	 RIVERSIDE WORKS CLEVELAND 753 8AT 01642 244663	DRAWN	DESCRIPTION		
		REV 1					JWH		SITEBOX 4' - STANDARD UNIT	
		REV 2					SCALE			
		REV 3					DATE			DRG No WEBSITEBOX4
		REV 4					13.03.07			