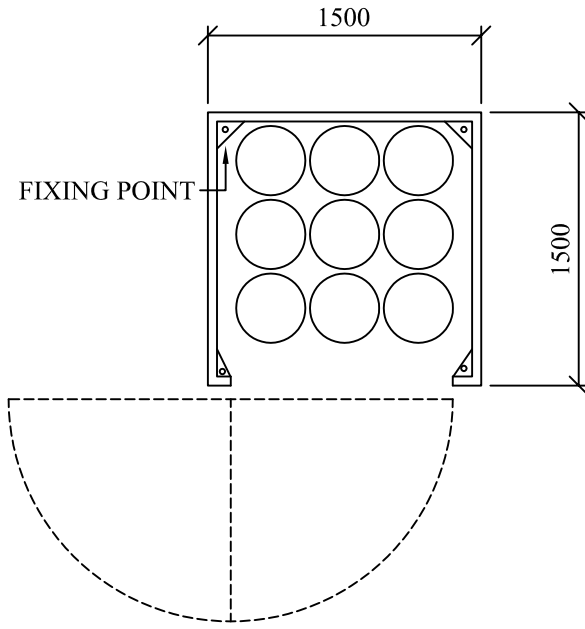
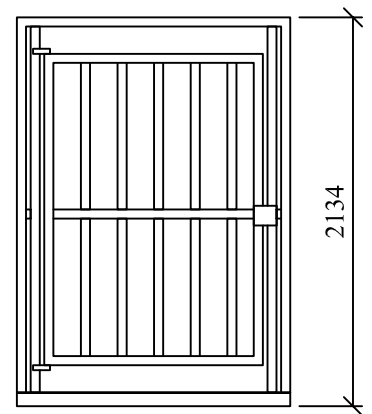


HIGHLY
SECURE
VANDAL RESISTANT

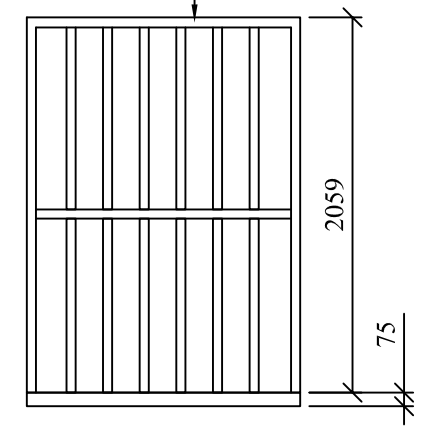


PLAN

ZINC PHOSPHATE
PAINT FINISH



FRONT ELEVATION



SIDE ELEVATION

DO NOT SCALE REMOVE ALL BURRS AND SHARP EDGES	 THIRD ANGLE PROJECTION	REV No	DATE		BY	CUSTOMER	CLEVELAND SITESAFE LIMITED <small>RIVERSIDE WORKS CLEVELAND TS3 RAT 01642 244663</small>	DRAWN JWH	DESCRIPTION GAS BOTTLE CAGE FOR APPROX 9 BOTTLES DRG No GASB9WEB2009
		REV 1						SCALE	
		REV 2						DATE	
		REV 3						15/07/2009	
		REV 4							