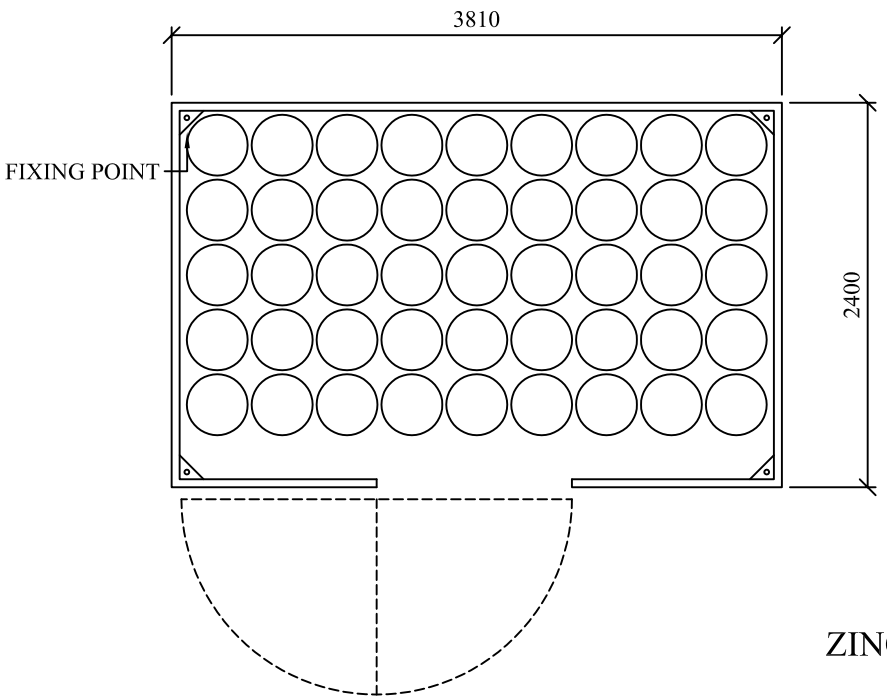
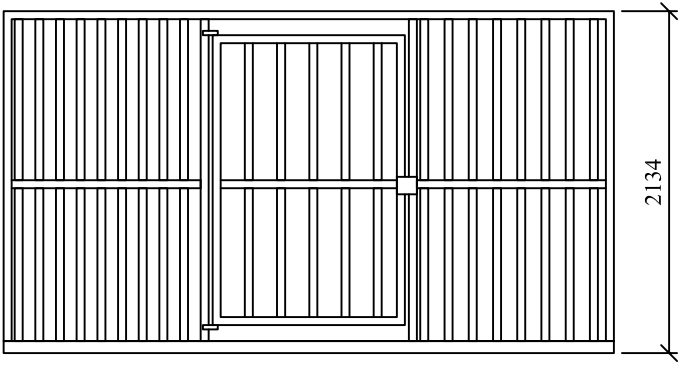


HIGHLY  
SECURE  
VANDAL RESISTANT

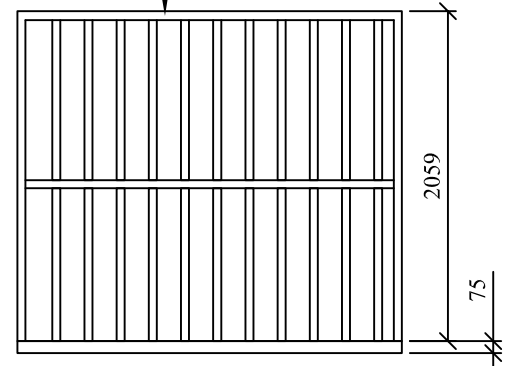


PLAN

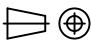
ZINC PHOSPHATE  
PAINT FINISH



FRONT ELEVATION



SIDE ELEVATION

|  |  |        |      |  |    |          |  |                      |   |
|--|--|--------|------|--|----|----------|--|----------------------|---|
| DO NOT SCALE<br>REMOVE ALL<br>BURRS AND<br>SHARP EDGES | <br>THIRD ANGLE<br>PROJECTION | REV No | DATE |  | BY | CUSTOMER | <b>CLEVELAND<br/>SITESAFE<br/>LIMITED</b><br><br><small>RIVERSIDE WORKS<br/>CLEVELAND<br/>TS3 RAT<br/>01642 244663</small> | DRAWN<br>JWH         | DESCRIPTION<br><b>GAS BOTTLE CAGE FOR<br/>APPROX 45 BOTTLES</b> |
|  |  | REV 1  |      |  |    |          |  | SCALE                |   |
|  |  | REV 2  |      |  |    |          |  | DATE                 |   |
|  |  | REV 3  |      |  |    |          |  | 10/08/2012           |   |
|  |  | REV 4  |      |  |    |          |  | DRG No GASB45WEB2012 |   |