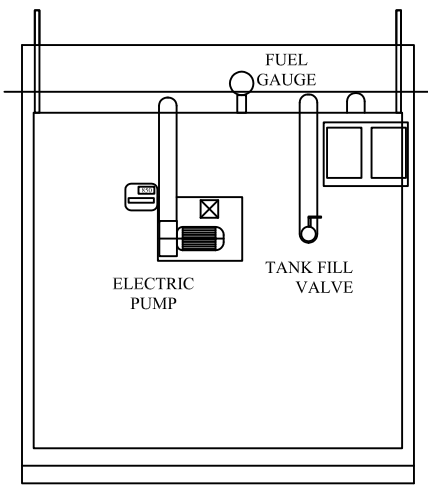
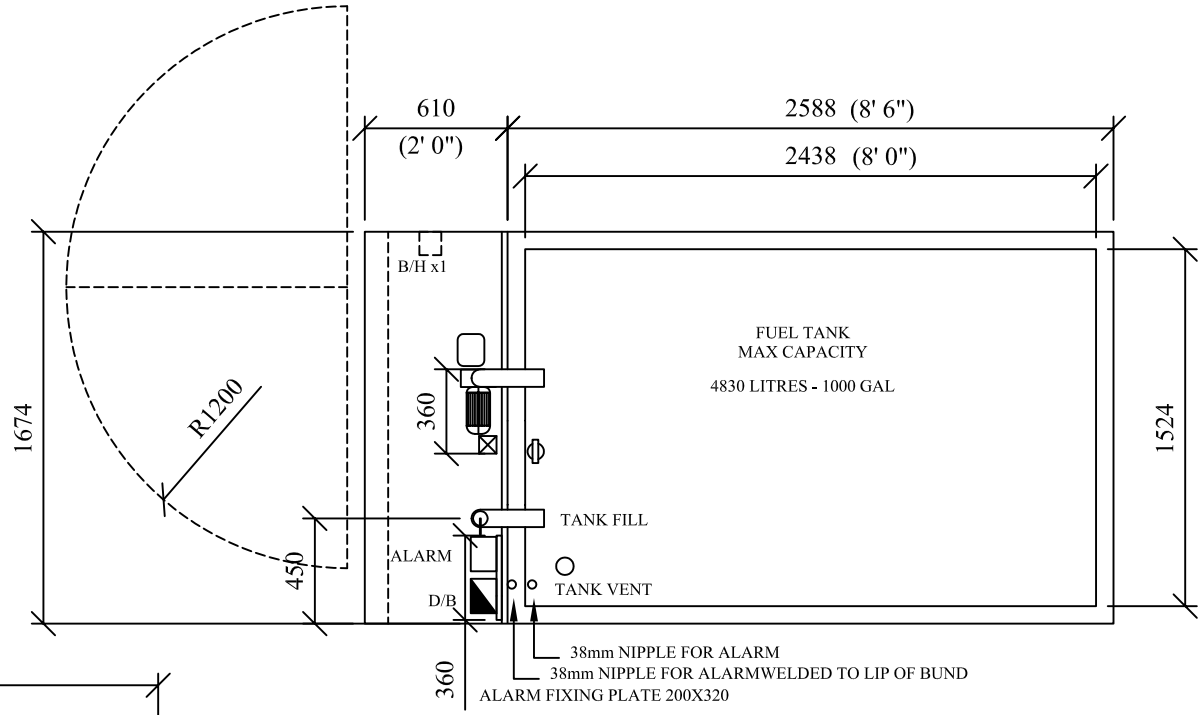
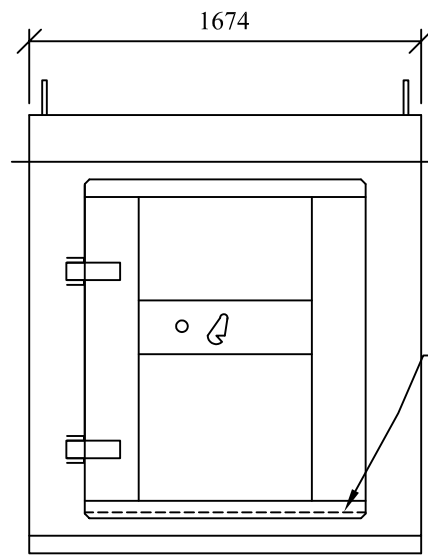


HIGHLY
SECURE
VANDAL RESISTANT

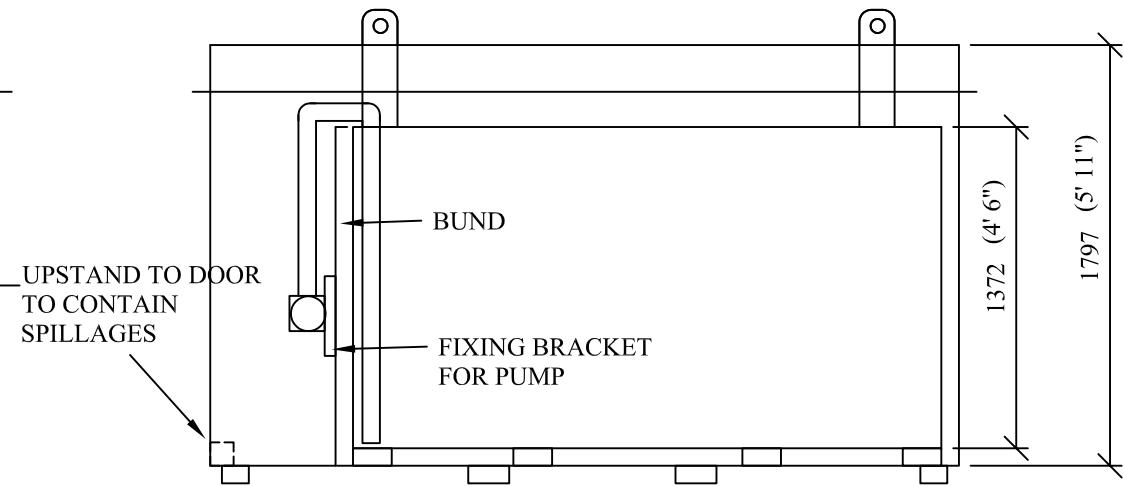
PLAN



SECTION



END ELEVATION



SIDE ELEVATION

DO NOT SCALE REMOVE ALL BURRS AND SHARP EDGES	 THIRD ANGLE PROJECTION	REV No	DATE	BY	CUSTOMER	 RIVERSIDE WORKS CLEVELAND TS3 RAT 01642 244663	DRAWN	DESCRIPTION
		REV 1					JWH	
		REV 2					SCALE	
		REV 3					DATE	23/01/2009
		REV 4						