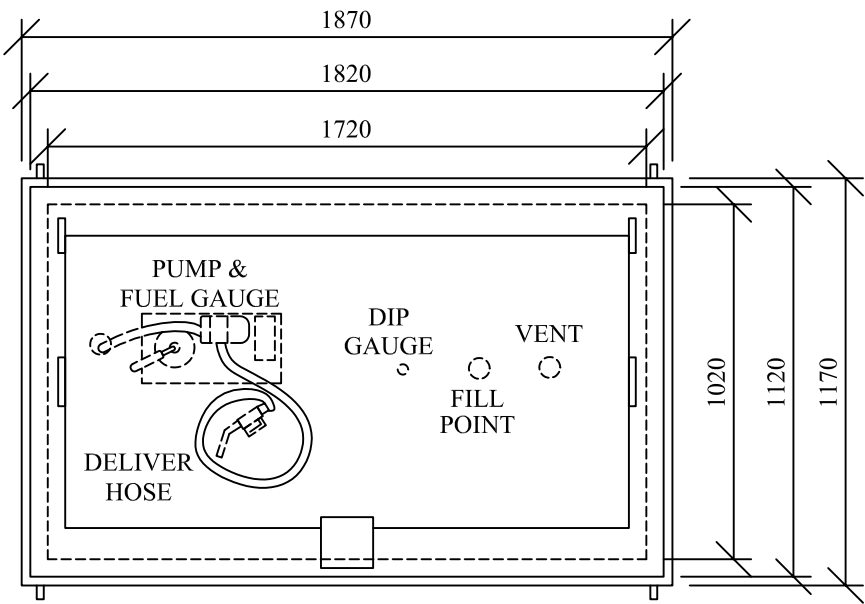
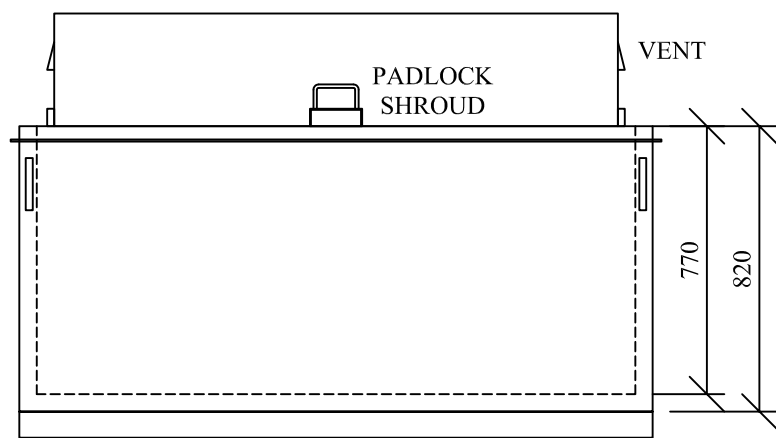


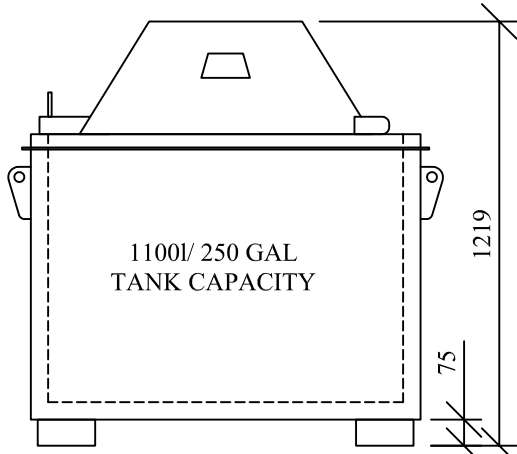
HIGHLY  
SECURE  
VANDAL RESISTANT



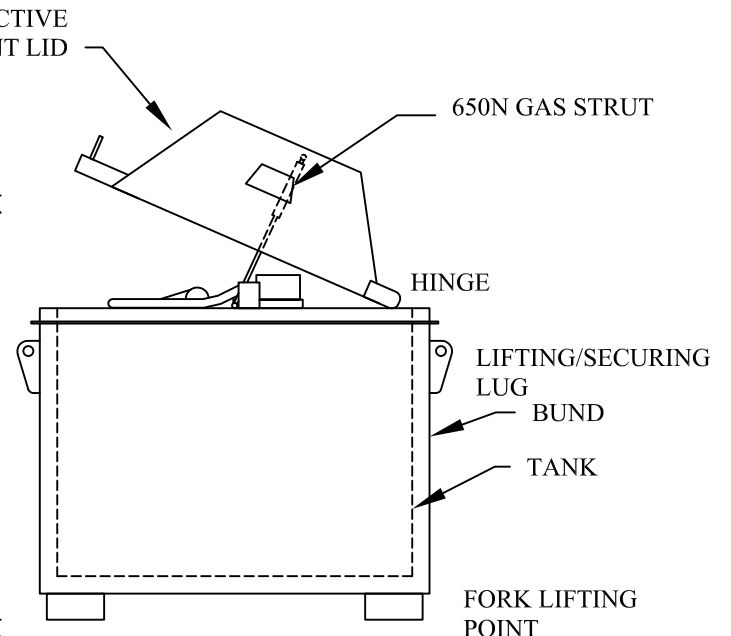
PLAN



FRONT ELEVATION



SIDE ELEVATION



SIDE ELEVATION

DO NOT SCALE REMOVE ALL BURRS AND SHARP EDGES	THIRD ANGLE PROJECTION	REV No	DATE	BY	CUSTOMER	<b>CLEVELAND SITESAFE LIMITED</b> <small>RIVERSIDE WORKS CLEVELAND TS3 RAT 01642 244663</small>	DRAWN	DESCRIPTION
		REV 1					JWH	
		REV 2					SCALE	
		REV 3					DATE	19/06/2009