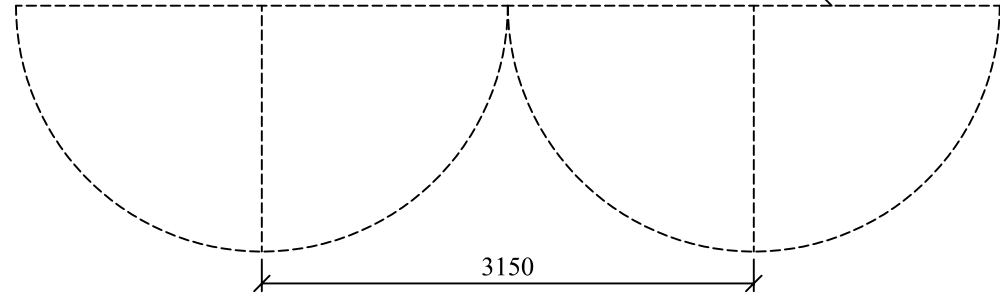
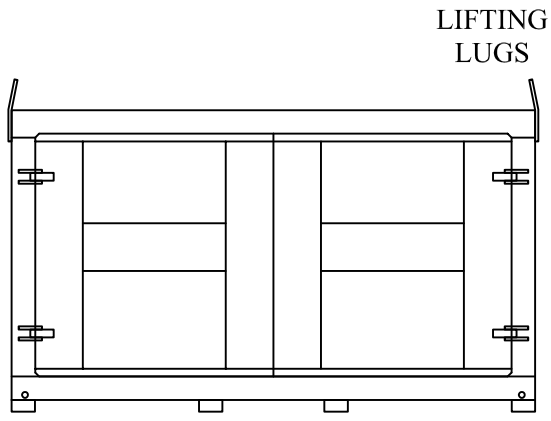


**HIGHLY SECURE ROBUST
STEEL CONSTRUCTION**

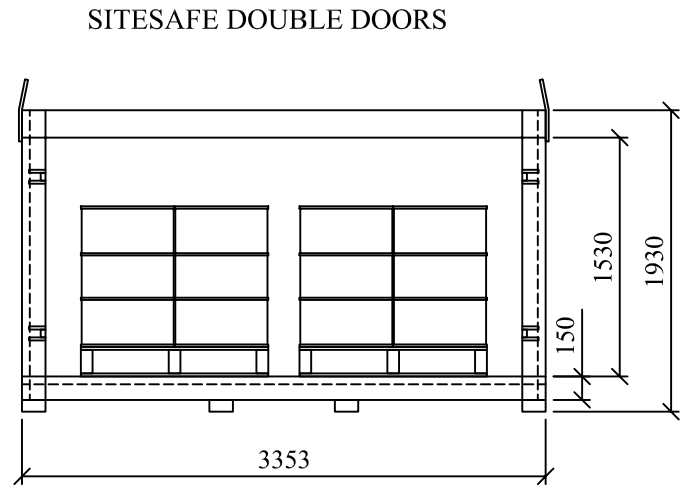


**SLIDING DOORS OR ROLLER SHUTTERS
AVAILABLE IF PREFERRED**



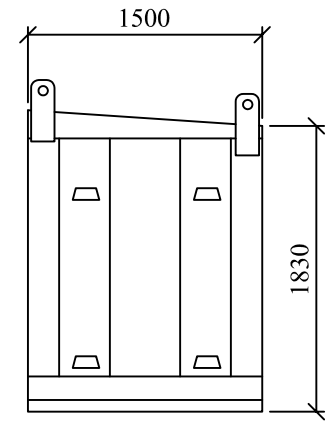
**LIFTING
LUGS**

DOORS SHOWN CLOSED

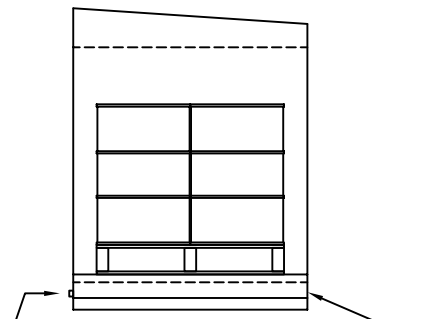


SITESAFE DOUBLE DOORS

DOORS SHOWN OPEN



SIDE ELEVATION



**2 x SUMP DRAIN POINTS
SUMP CAPACITY - 750l**

TYPICAL SECTION

DO NOT SCALE REMOVE ALL BURRS AND SHARP EDGES	 THIRD ANGLE PROJECTION	REV No	DATE	BY	CUSTOMER	CLEVELAND SITESAFE LIMITED <small>RIVERSIDE WORKS CLEVELAND TS3 8AT 01642 244663</small>	DRAWN	DESCRIPTION
		REV 1					JWH	
		REV 2					SCALE	DRG No WEBDRUM8
		REV 3					DATE	
REV 4								