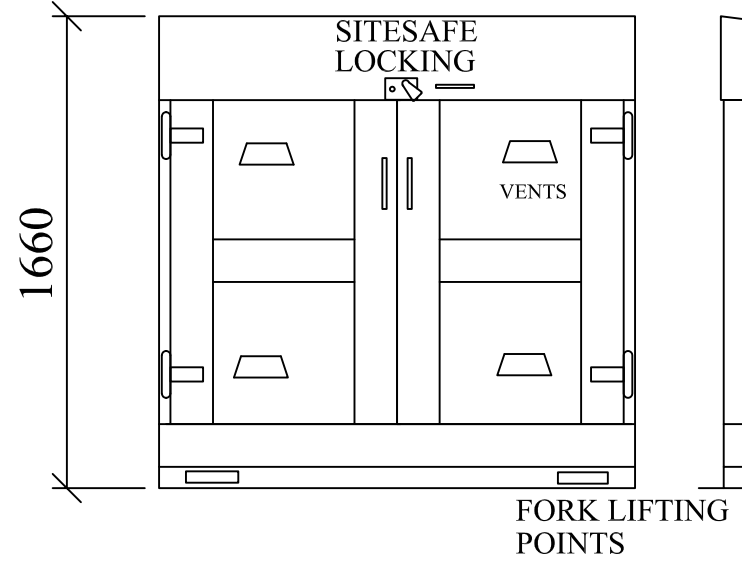
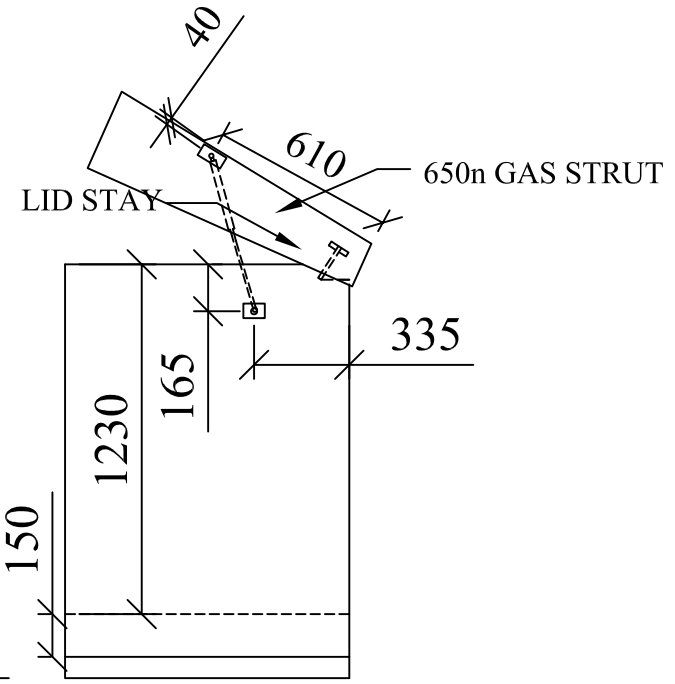


HIGHLY SECURE ROBUST STEEL CONSTRUCTION

EXTRA OVER FOR LIFT-UP LID



| | | | | | | | |
|---|------------------------|--------|------|----|----------|--------------|---|
| DO NOT SCALE REMOVE ALL BURRS AND SHARP EDGES | THIRD ANGLE PROJECTION | REV No | DATE | BY | CUSTOMER | DRAWN JWH | DESCRIPTION DRUMSAFE 2 WING DOORS PLUS LIFT UP LID |
| | | REV 1 | | | | | |
| | | REV 2 | | | | | |
| | | REV 3 | | | | | |
| REV 4 | | | | | | SCALE | DRG No WEBDRUM2L |
| CLEVELAND SITESAFE LIMITED RIVERSIDE WORKS CLEVELAND TS3 8AT 01642 244663 | | | | | | DATE | 11/09/2008 |
| | | | | | | | |