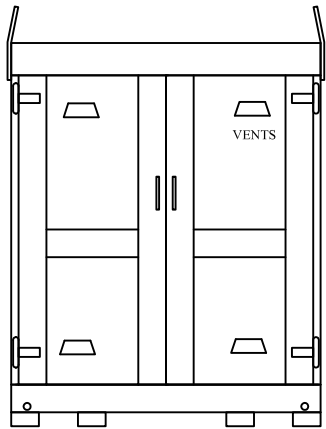


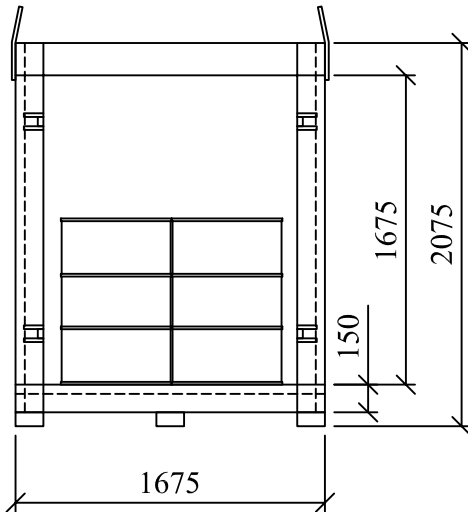
SITESAFE DOUBLE DOORS

# HIGHLY SECURE ROBUST STEEL CONSTRUCTION

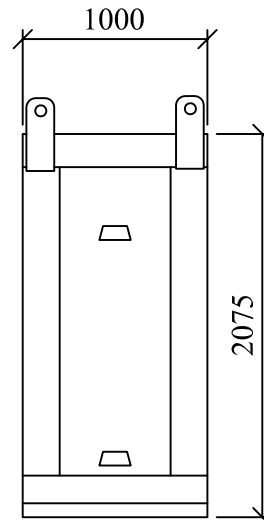
LIFTING LUGS



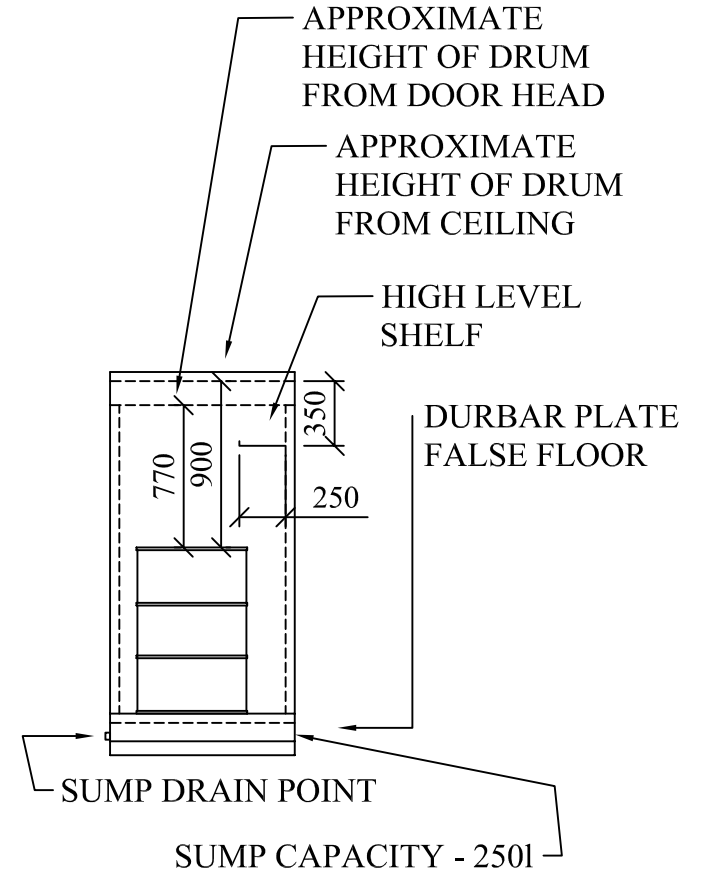
DOORS SHOWN CLOSED



DOORS SHOWN OPEN



SIDE ELEVATION



TYPICAL SECTION

DO NOT SCALE REMOVE ALL BURRS AND SHARP EDGES	 THIRD ANGLE PROJECTION	REV No	DATE	BY	CUSTOMER	CLEVELAND <b>SITESAFE</b> LIMITED <small>RIVERSIDE WORKS          CLEVELAND          TS3 8AT          01642 244663</small>	DRAWN	DESCRIPTION
		REV 1					JWH	
		REV 2					SCALE	DATE
		REV 3						11/09/2008