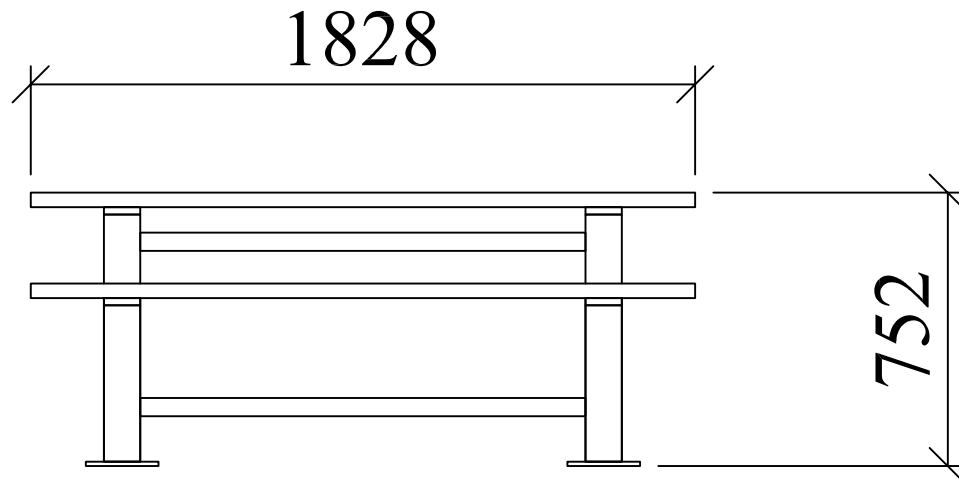
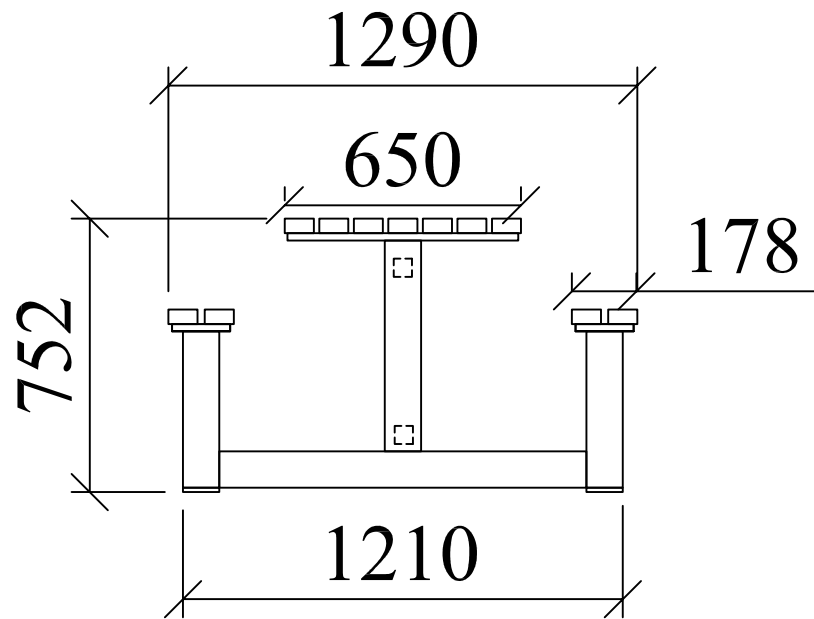
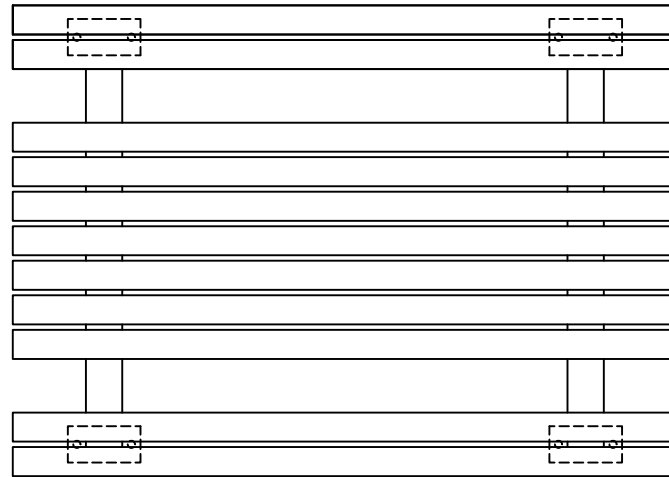


HIGHLY  
SECURE  
VANDAL RESISTANT



DO NOT SCALE REMOVE ALL BURRS AND SHARP EDGES	 THIRD ANGLE PROJECTION	REV No	DATE		BY	CUSTOMER	<b>CLEVELAND SITESAFE LIMITED</b> <small>RIVERSIDE WORKS CLEVELAND TS3 RAT 01642 244663</small>	DRAWN	DESCRIPTION
		REV 1						JWH	
		REV 2						SCALE	DATE
		REV 3							09/10/2012
		REV 4							