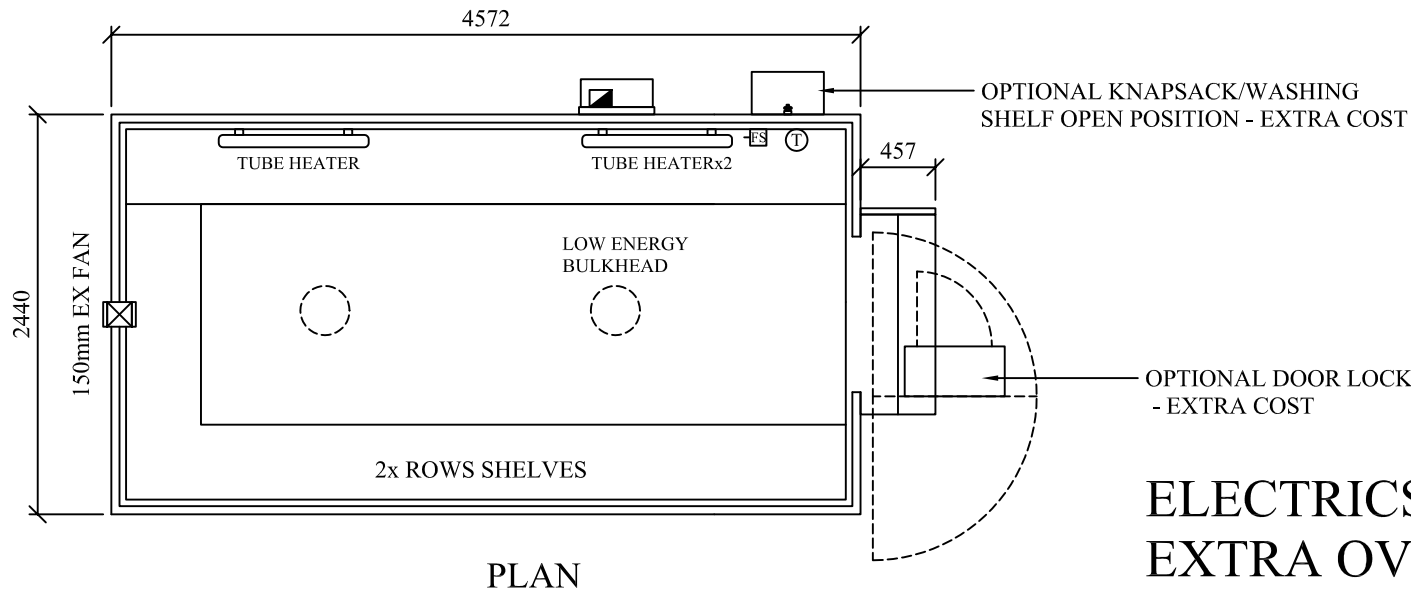


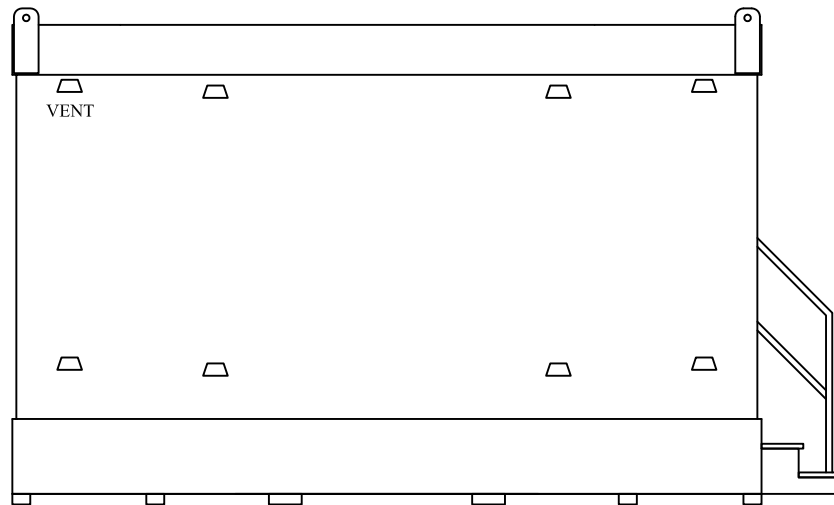
HIGHLY SECURE
VANDAL RESISTANT



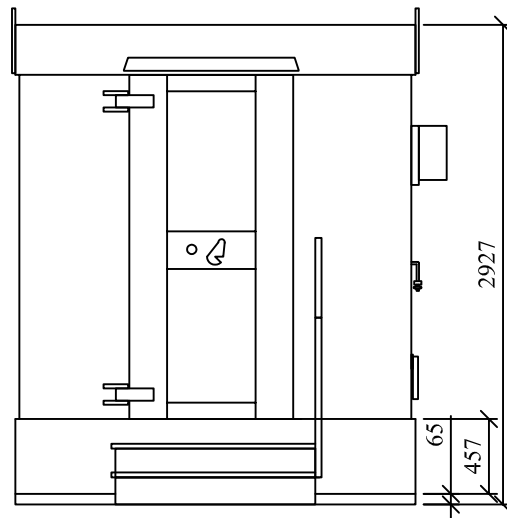
**ELECTRICS & INSULATION
EXTRA OVER**

PLAN

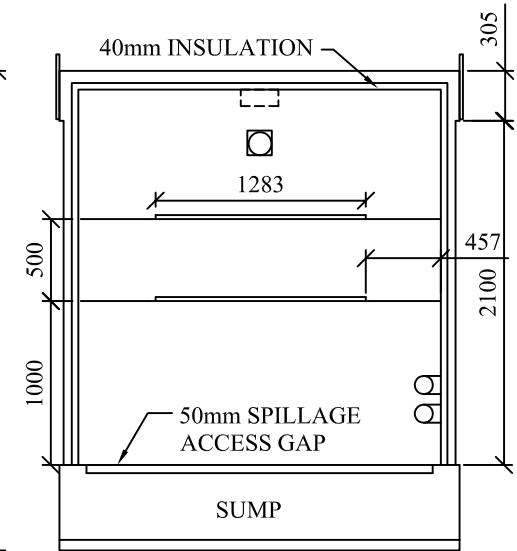
LIFTING LUGS



FRONT ELEVATION



SIDE ELEVATION



SECTION

DO NOT SCALE REMOVE ALL BURRS AND SHARP EDGES	 THIRD ANGLE PROJECTION	REV No	DATE	BY	CUSTOMER	CLEVELAND SITESAFE LIMITED <small>RIVERSIDE WORKS CLEVELAND TS3 RAT 01642 244663</small>	DRAWN JWH	DESCRIPTION
		REV 1					SCALE	CHEMSAFE 5000 FULL SPEC
		REV 2					DATE	DRG No JH/WEB2014/5000CS
		REV 3					10/07/2014	
		REV 4						