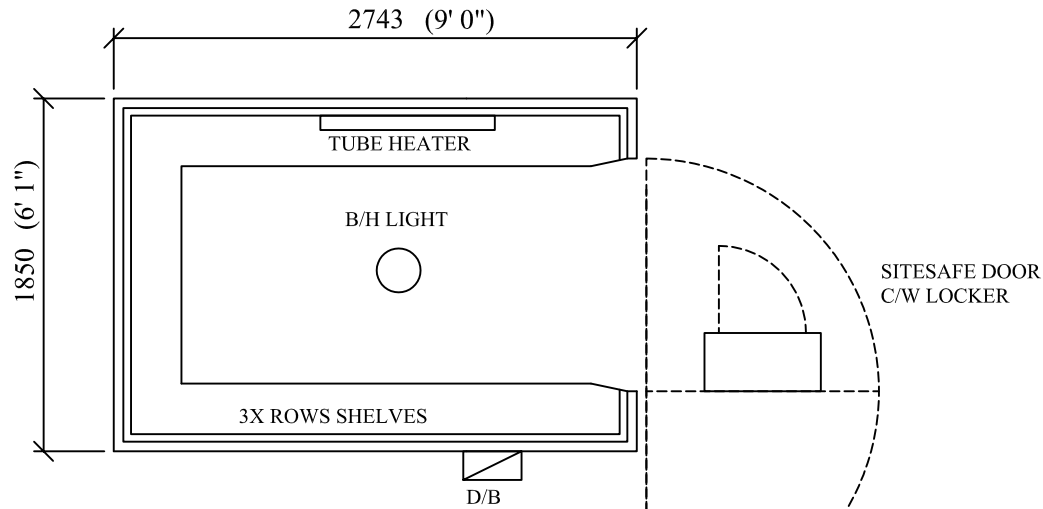
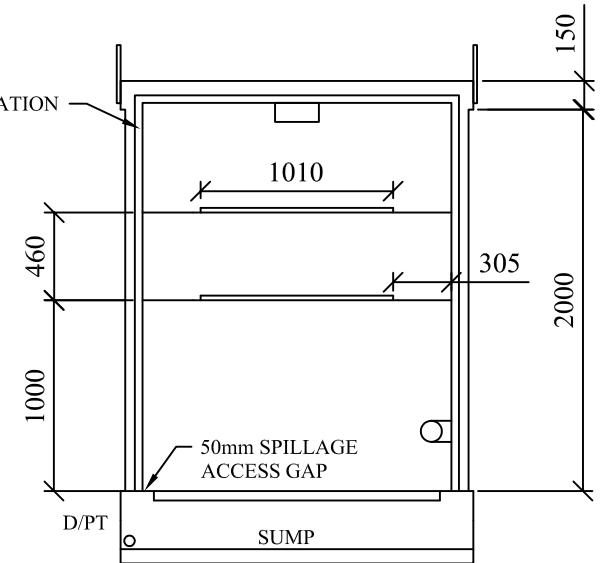
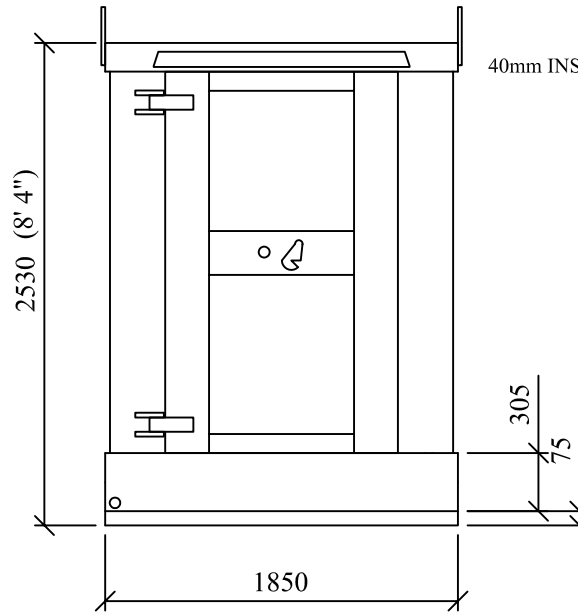
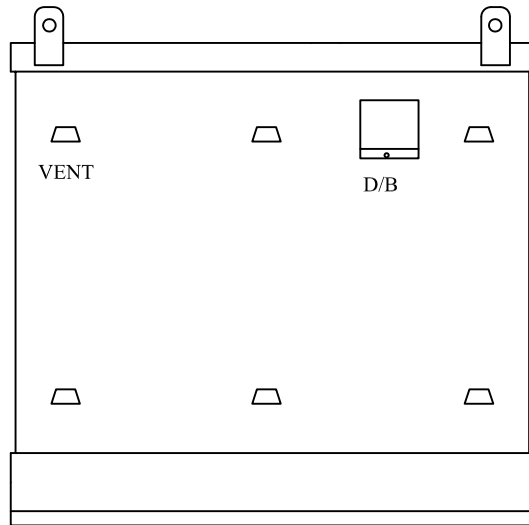


# HIGHLY SECURE VANDAL RESISTANT BUILDING



## ELECTRICS & INSULATION EXTRA OVER

LIFTING LUGS



DO NOT SCALE  
REMOVE ALL  
BURRS AND  
SHARP EDGES



REV No	DATE	BY	CUSTOMER
REV 1			
REV 2			
REV 3			
REV 4			

CUSTOMER

**CLEVELAND  
SITESAFE  
LIMITED**

RIVERSIDE WORKS  
CLEVELAND  
T83 8AT  
01642 244663

DRAWN  
JWH  
SCALE  
DATE  
08.10.03

DESCRIPTION  
CHEMSAFE 1500 FULL SPEC  
DRG No CHEM1500WEB