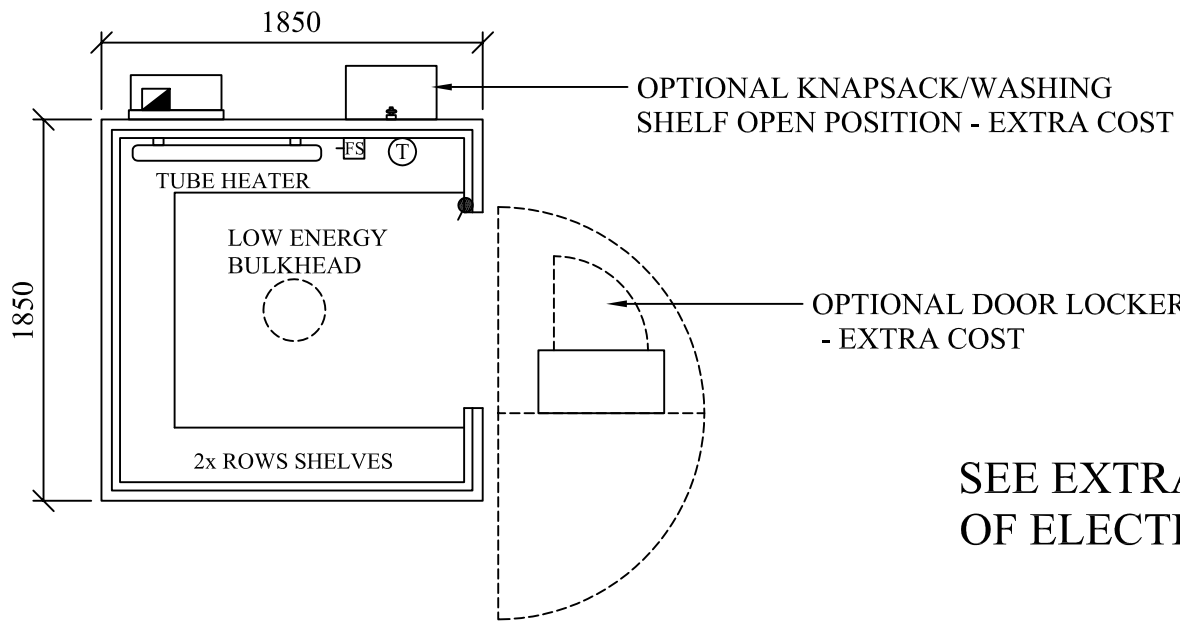
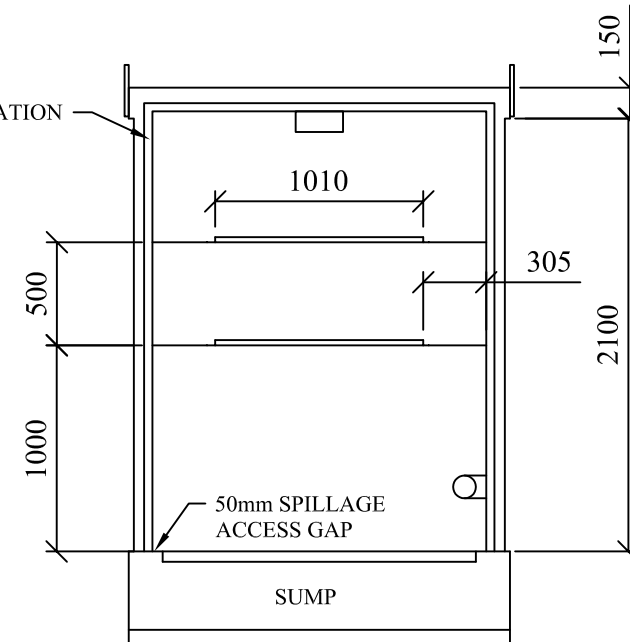
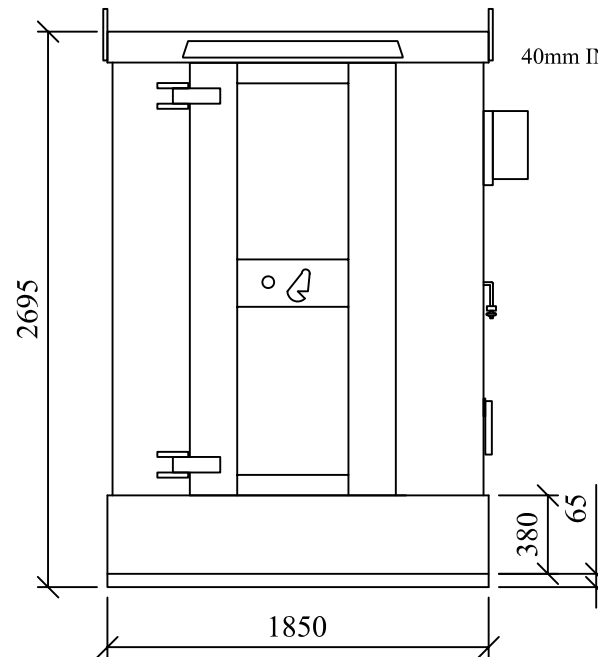
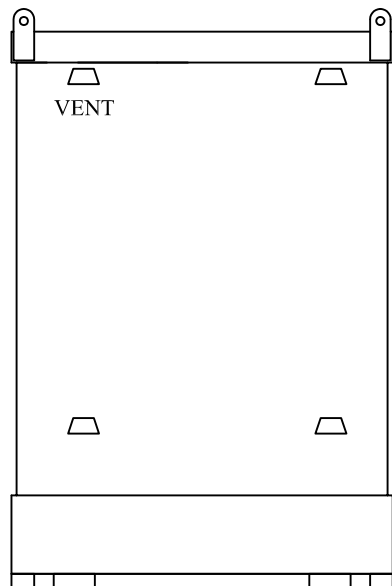


HIGHLY  
SECURE  
VANDAL RESISTANT



SEE EXTRA OVER FOR COST OF ELECTRICS AND INSULATION

LIFTING LUGS



DO NOT SCALE

REMOVE ALL BURRS AND SHARP EDGES

THIRD ANGLE PROJECTION

REV No	DATE	BY
REV 1		
REV 2		
REV 3		
REV 4		

CUSTOMER

CLEVELAND  
SITESAFE  
LIMITED

RIVERSIDE WORKS  
CLEVELAND  
TS3 RAT  
01642 244663

DRAWN  
JWH  
SCALE  
DATE  
10/07/2014

DESCRIPTION  
CHEMSAFE 1300 FULL SPEC  
DRG No JH/WEB2014/1300CS