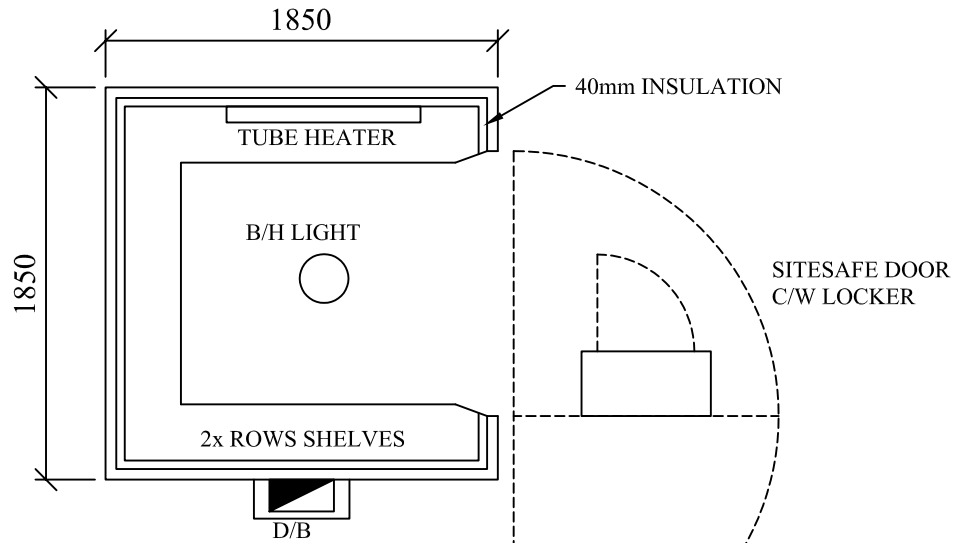
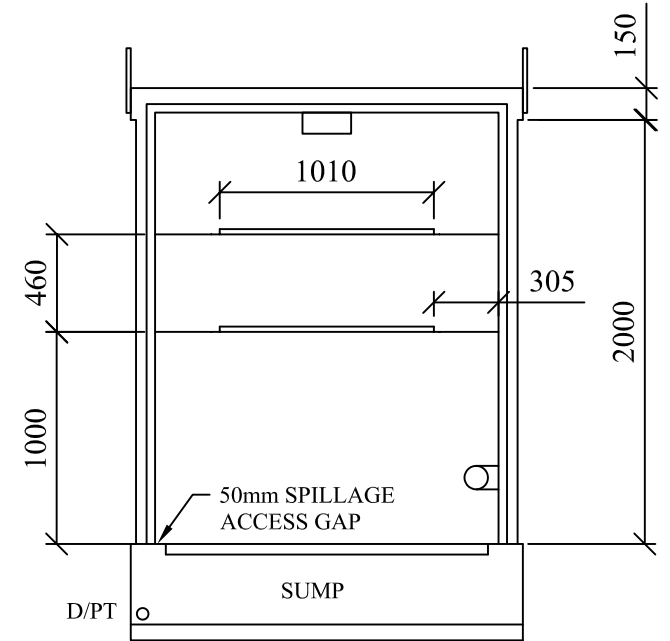
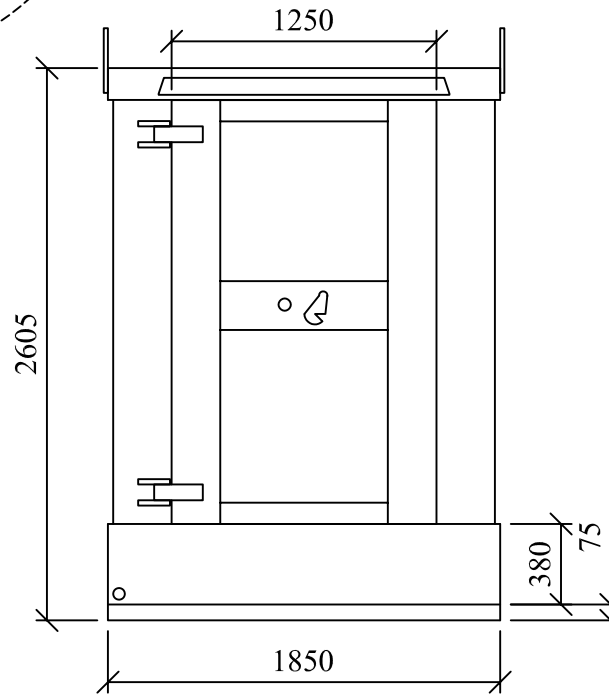
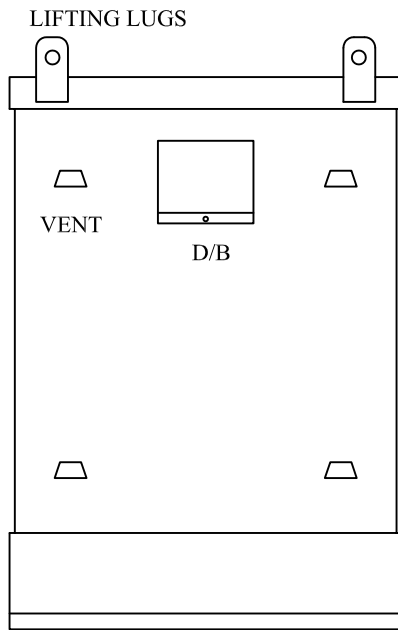


# HIGHLY SECURE VANDAL RESISTANT BUILDING



SEE EXTRA OVER FOR COST  
OF ELECTRICS AND INSULATION



DO NOT SCALE  
REMOVE ALL  
BURRS AND  
SHARP EDGES

  
THIRD ANGLE  
PROJECTION

REV No	DATE	BY	CUSTOMER
REV 1			
REV 2			
REV 3			
REV 4			

**CLEVELAND  
SITESAFE  
LIMITED**

RIVERSIDE WORKS  
CLEVELAND  
T83 8AT  
01642 244663

DRAWN  
JWH  
SCALE  
DATE  
04/07/2008

DESCRIPTION  
CHEMSAFE 1300 - FULL SPEC  
DRG No CHEM1300WEB