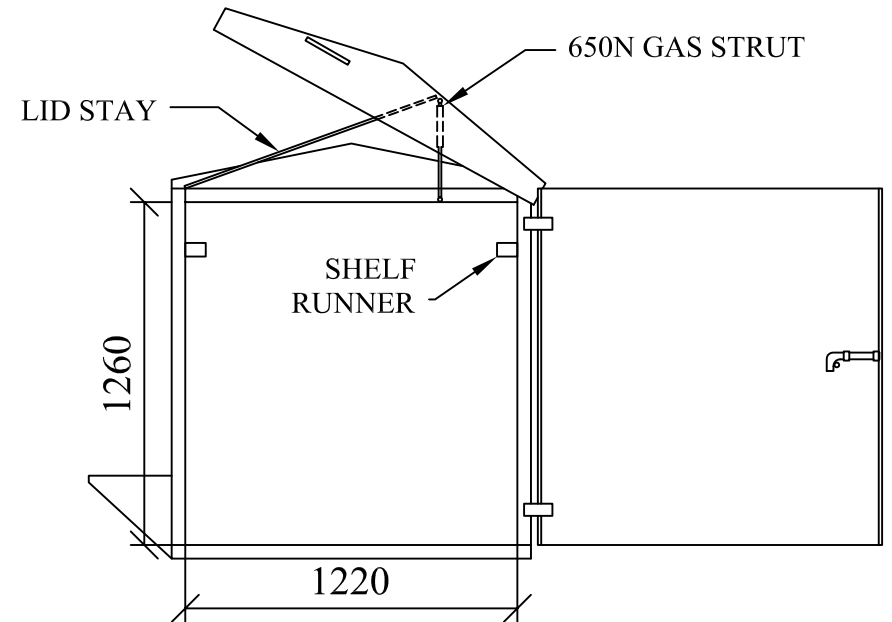
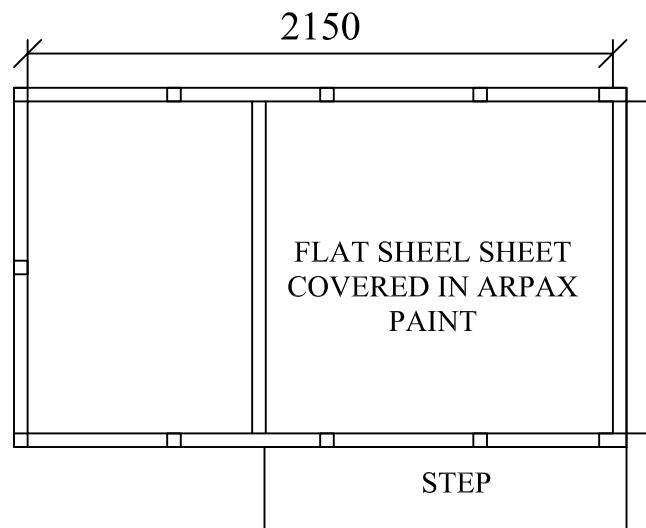
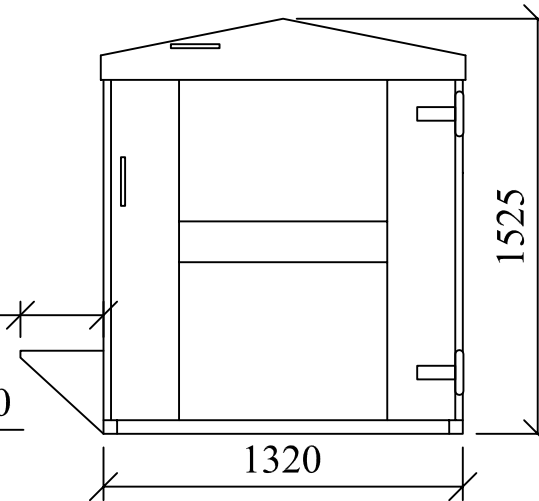
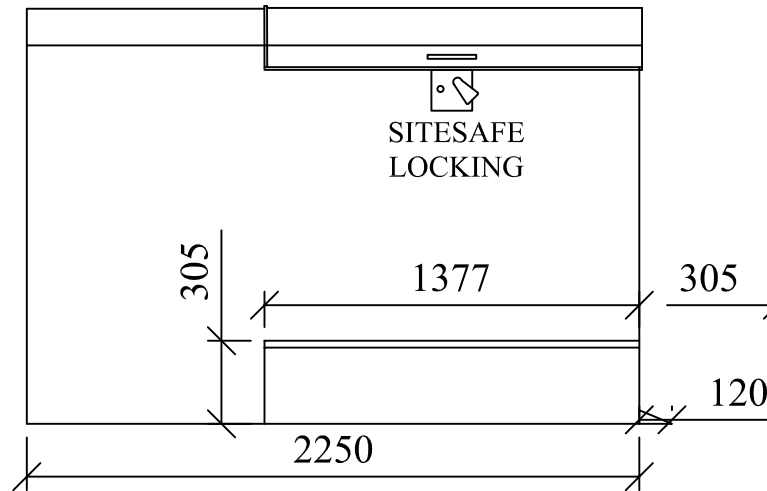
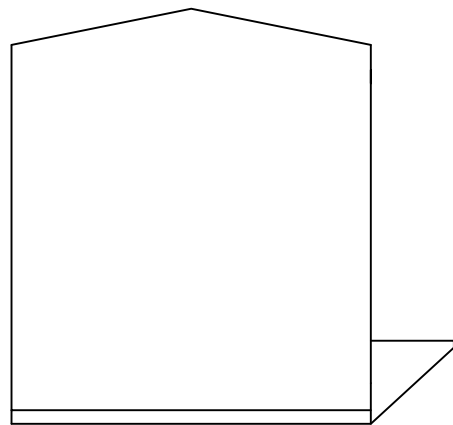


# HIGHLY SECURE VANDAL RESISTANT BUILDING



DO NOT SCALE

REMOVE ALL BURRS AND SHARP EDGES



REV No	DATE	BY	CUSTOMER
REV 1			
REV 2			
REV 3			
REV 4			

**CLEVELAND SITESAFE LIMITED**

RIVERSIDE WORKS  
CLEVELAND  
TS3 RAT  
01642 244663

DRAWN JWH	DESCRIPTION BIKESAFE - ACCESS FROM LEFT HAND SIDE
SCALE	DRG No JHWEBBIKESLHS
DATE 10/12/2013	