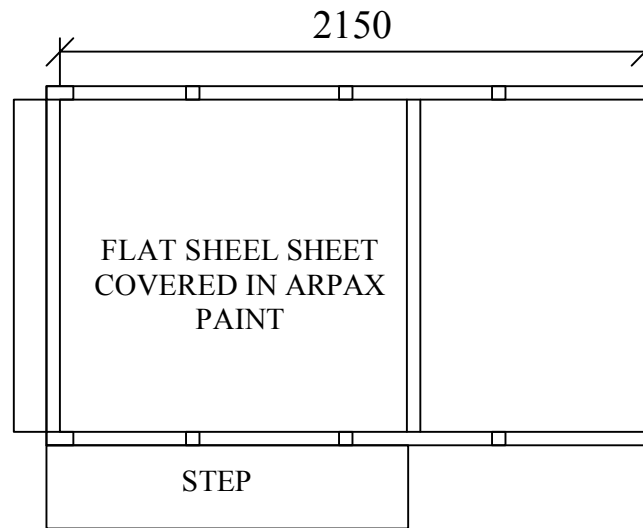
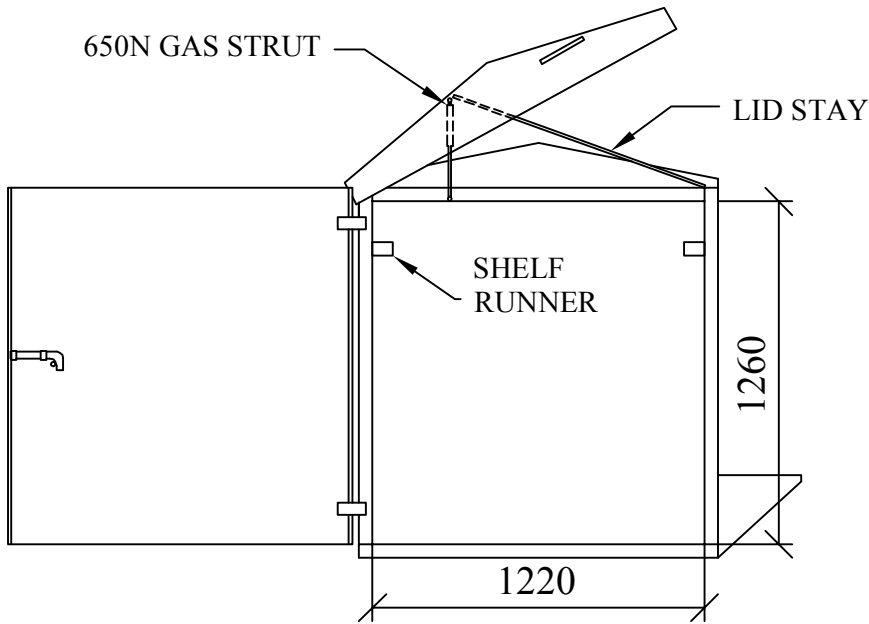
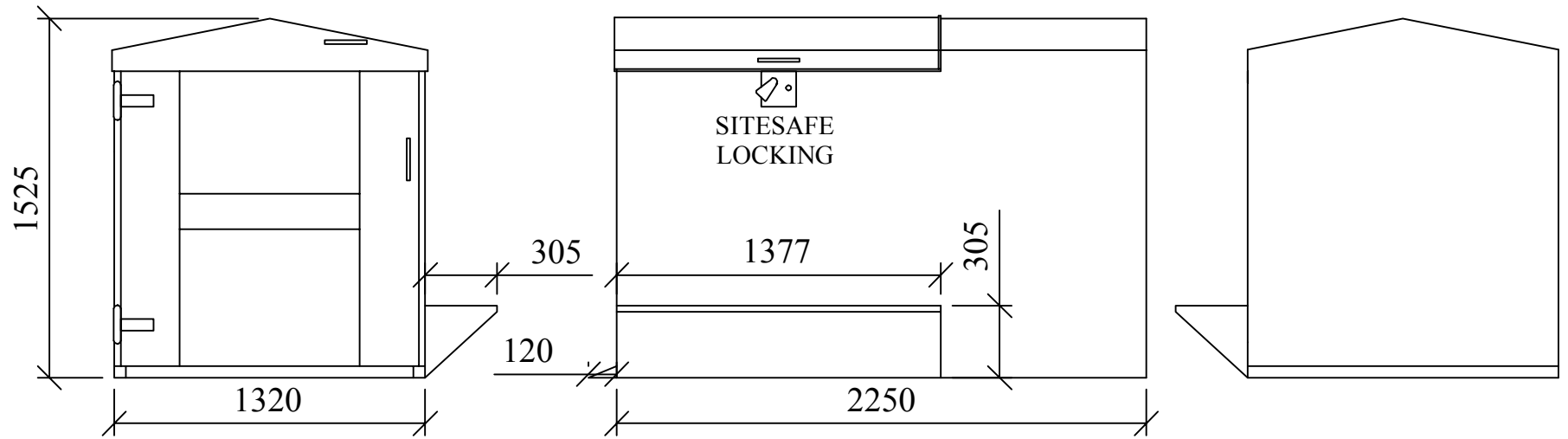


HIGHLY SECURE VANDAL RESISTANT BUILDING



DO NOT SCALE REMOVE ALL BURRS AND SHARP EDGES	THIRD ANGLE PROJECTION	REV No DATE	BY CUSTOMER	CLEVELAND SITESAFE LIMITED RIVERSIDE WORKS CLEVELAND TS3 8AT 01642 244663	DRAWN JWH	DESCRIPTION BIKESAFE - ACCESS FROM RIGHT HAND SIDE DRG No JHWEBBIKESRHS
		REV 1			SCALE	
		REV 2			DATE 10/12/2013	
		REV 3				
		REV 4				