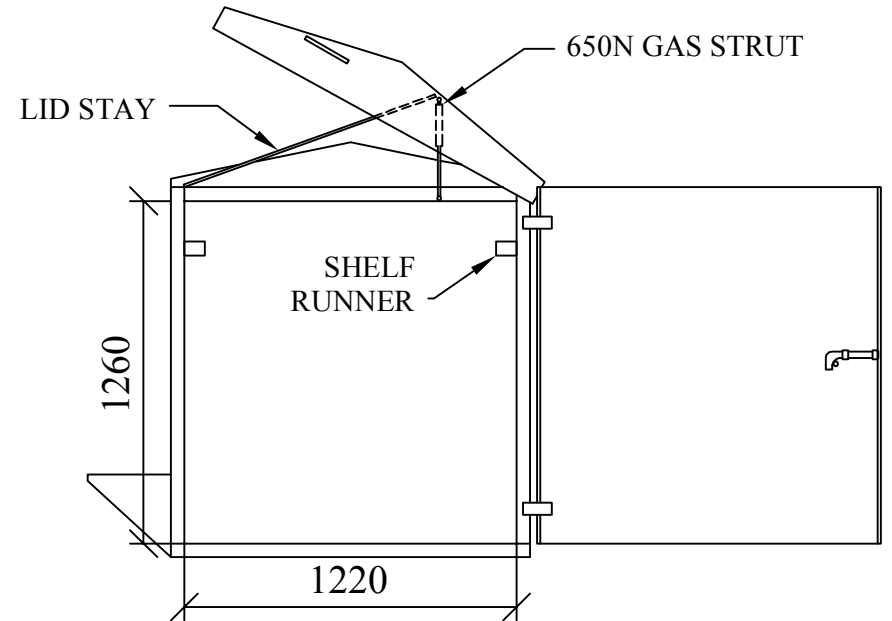
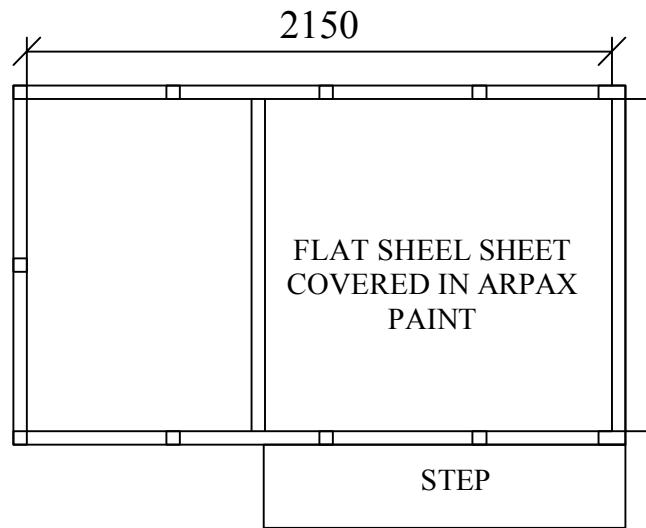
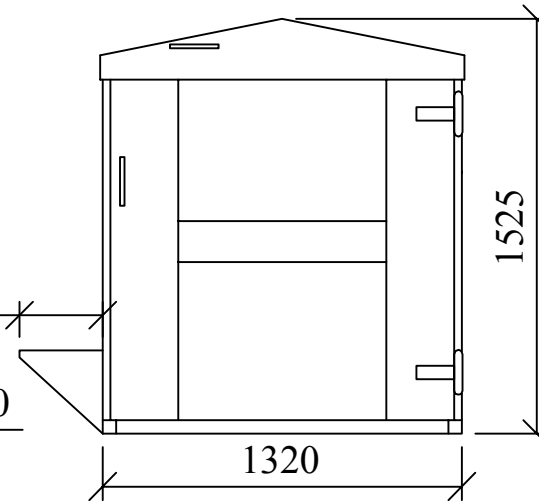
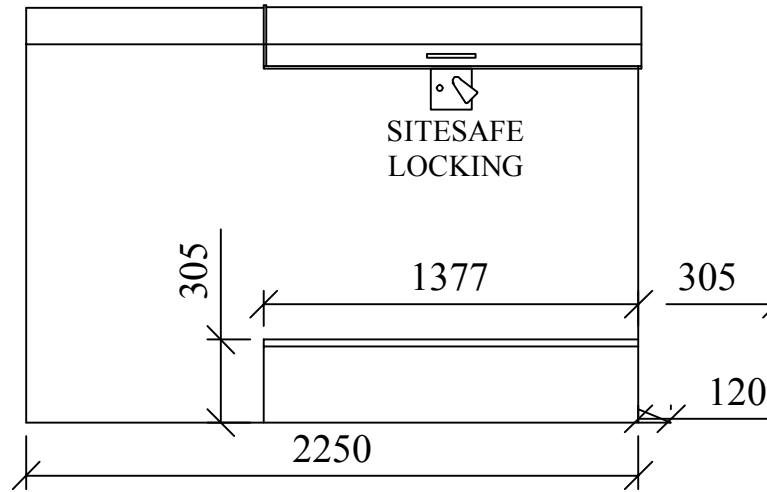
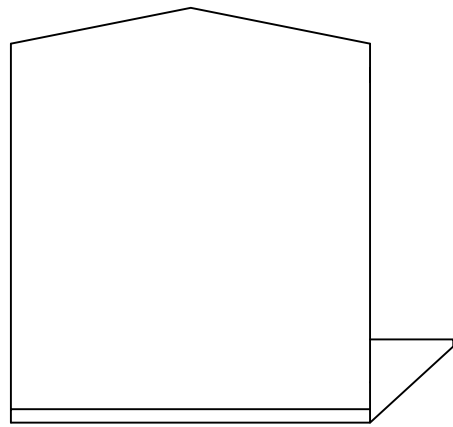


HIGHLY SECURE VANDAL RESISTANT BUILDING



DO NOT SCALE

REMOVE ALL
BURRS AND
SHARP EDGES



REV No	DATE
REV 1	
REV 2	
REV 3	
REV 4	

BY CUSTOMER

CLEVELAND
SITESAFE
LIMITED

RIVERSIDE WORKS
CLEVELAND
TS3 8AT
01642 244663

DRAWN JWH
SCALE
DATE 10/12/2013

DESCRIPTION
BIKESAFE - ACCESS FROM
LEFT HAND SIDE

DRG No JHWEBBIKESLHS