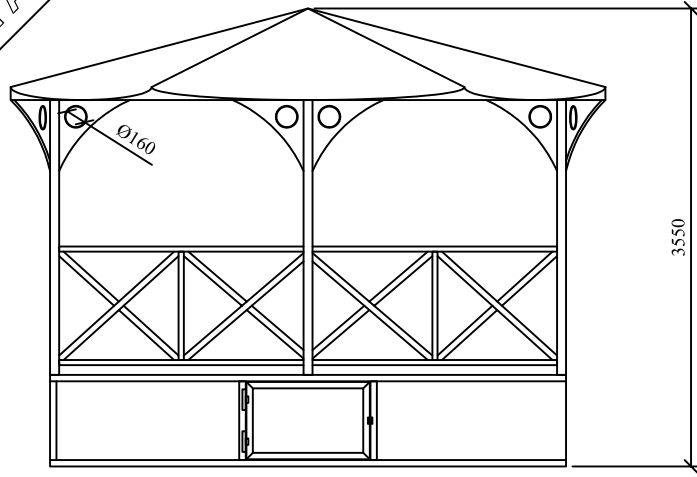
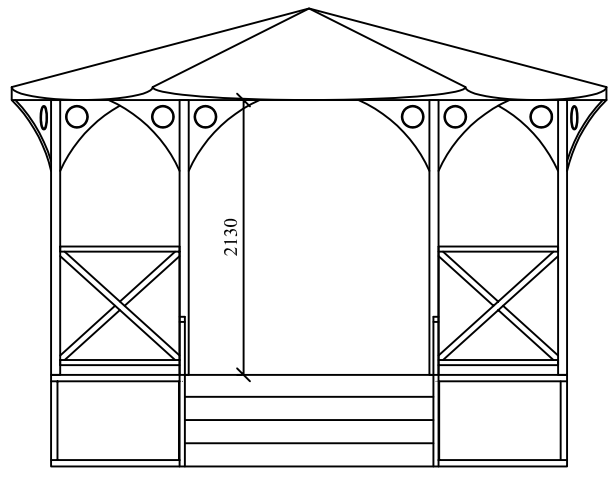


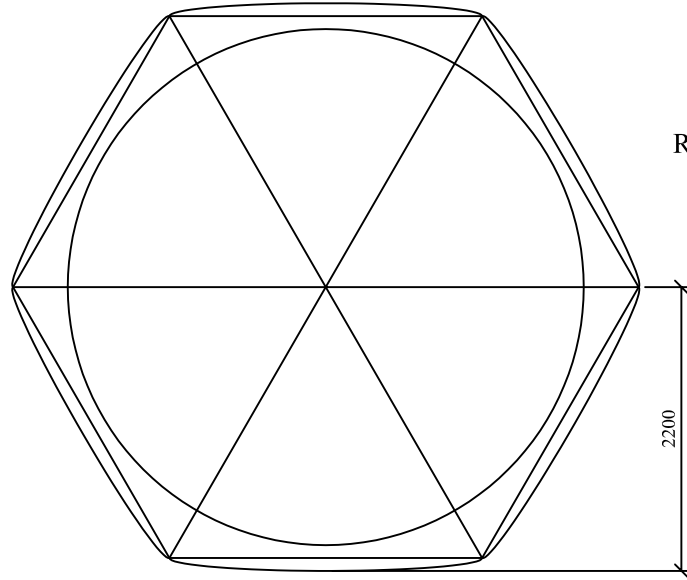
HIGHLY
SECURE
VANDAL RESISTANT



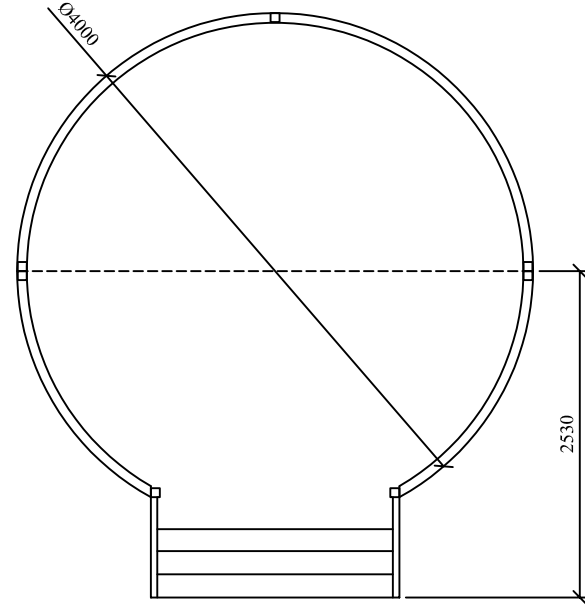
BACK



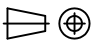
FRONT



ROOF



PLAN

DO NOT SCALE REMOVE ALL BURRS AND SHARP EDGES	 THIRD ANGLE PROJECTION	REV No	DATE	BY	CUSTOMER	CLEVELAND SITESAFE LIMITED <small>RIVERSIDE WORKS CLEVELAND TS3 RAT 01642 244663</small>	DRAWN JWH	DESCRIPTION
		REV 1					SCALE	BANDSTAND CIRCULAR
		REV 2					DATE	DRG No
		REV 3					07/12/2009	
		REV 4						