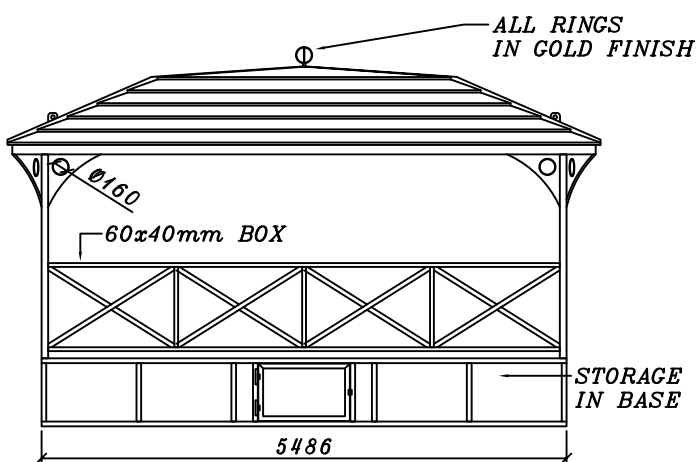
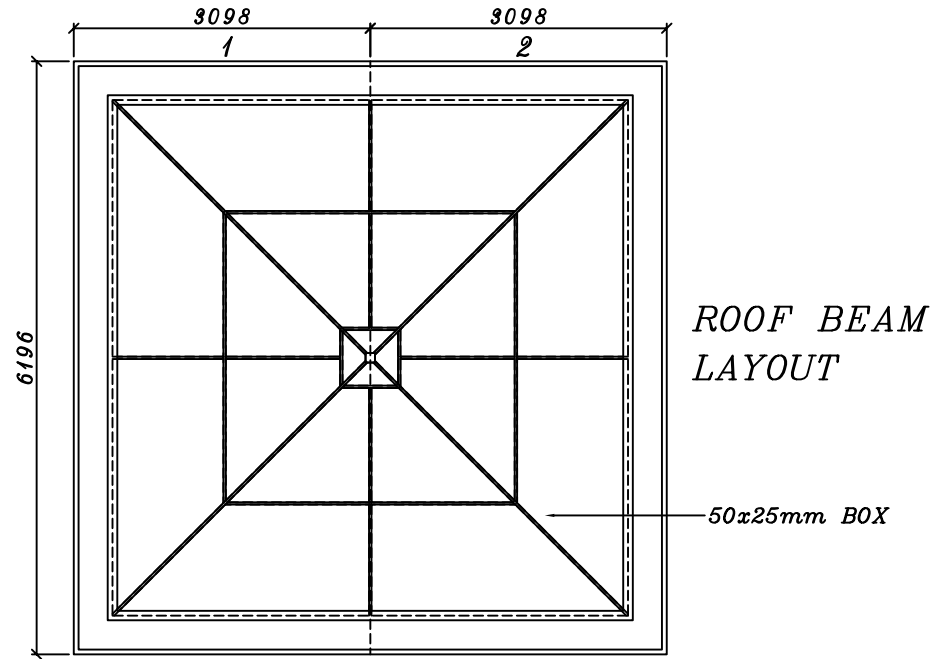
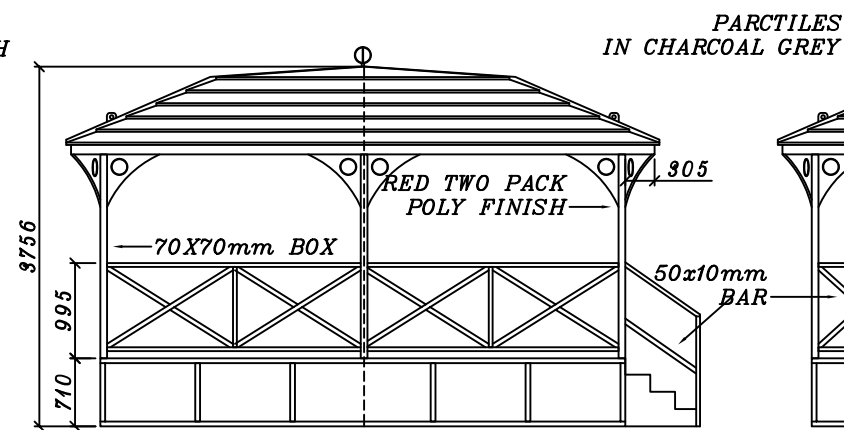


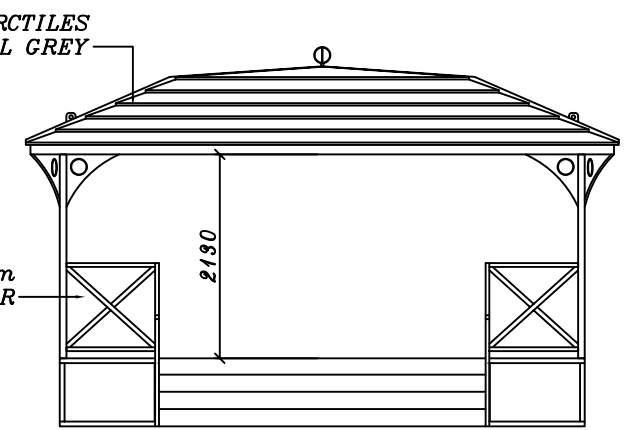
HIGHLY
SECURE
VANDAL RESISTANT



REAR ELEVATION



SIDE ELEVATION



FRONT ELEVATION

DO NOT SCALE REMOVE ALL BURRS AND SHARP EDGES	 THIRD ANGLE PROJECTION	REV No	DATE	BY	CUSTOMER	CLEVELAND SITESAFE LIMITED <small>RIVERSIDE WORKS CLEVELAND TS3 RAT 01642 244663</small>	DRAWN	DESCRIPTION		
		REV 1					JWH		BANDSTAND 18/18	
		REV 2					SCALE			
		REV 3					DATE			DRG No
		REV 4					07/12/2009			