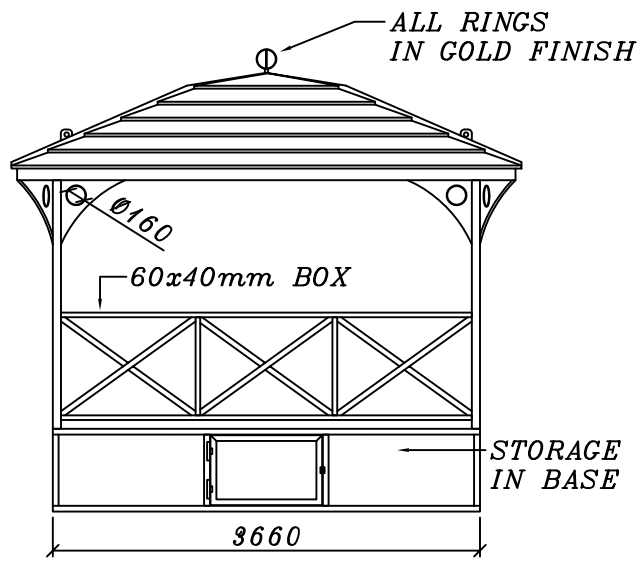
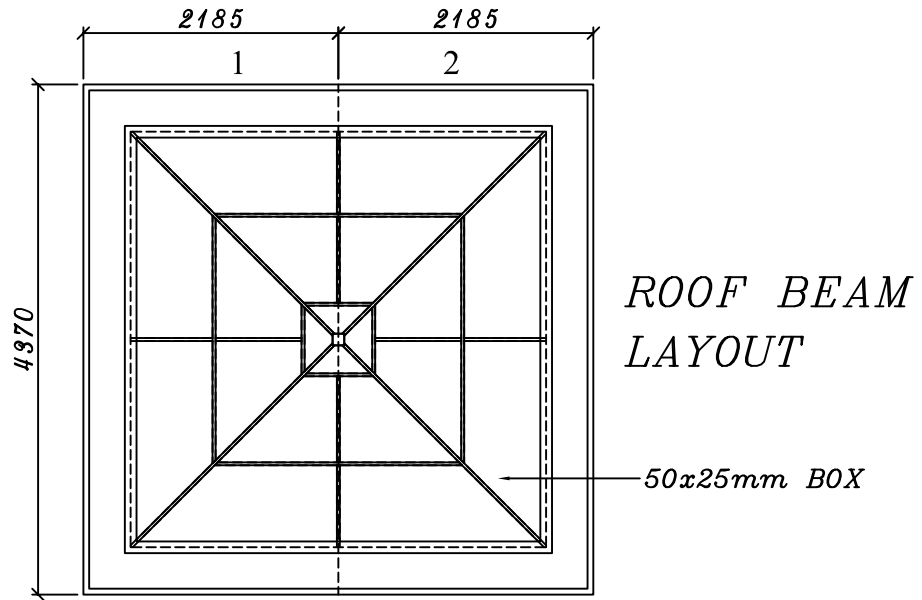
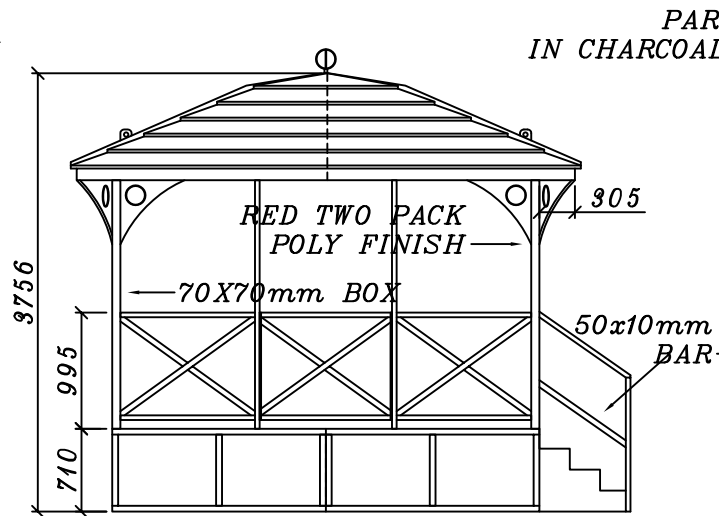


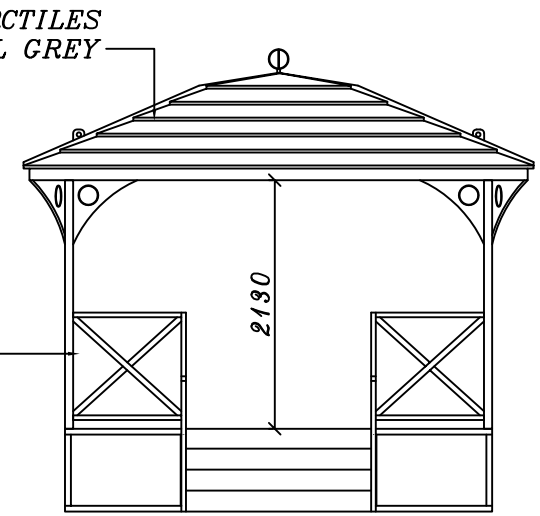
HIGHLY
SECURE
VANDAL RESISTANT



REAR ELEVATION



SIDE ELEVATION



FRONT ELEVATION

DO NOT SCALE	<p>THIRD ANGLE PROJECTION</p>	REV No	DATE	BY	CUSTOMER	<p>CLEVELAND SITESAFE LIMITED</p> <p>RIVERSIDE WORKS CLEVELAND TS3 RAT 01642 244663</p>	DRAWN JWH	DESCRIPTION
REMOVE ALL BURRS AND SHARP EDGES		REV 1					SCALE	BANDSTAND 12/12
		REV 2					DATE	DRG No
		REV 3					07/12/2009	
		REV 4						