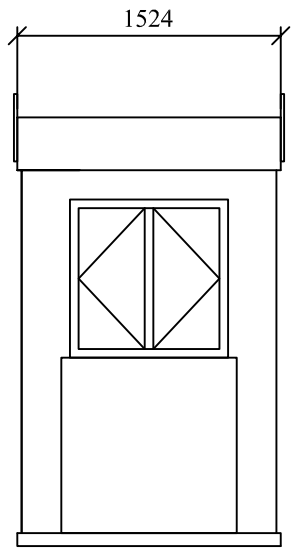
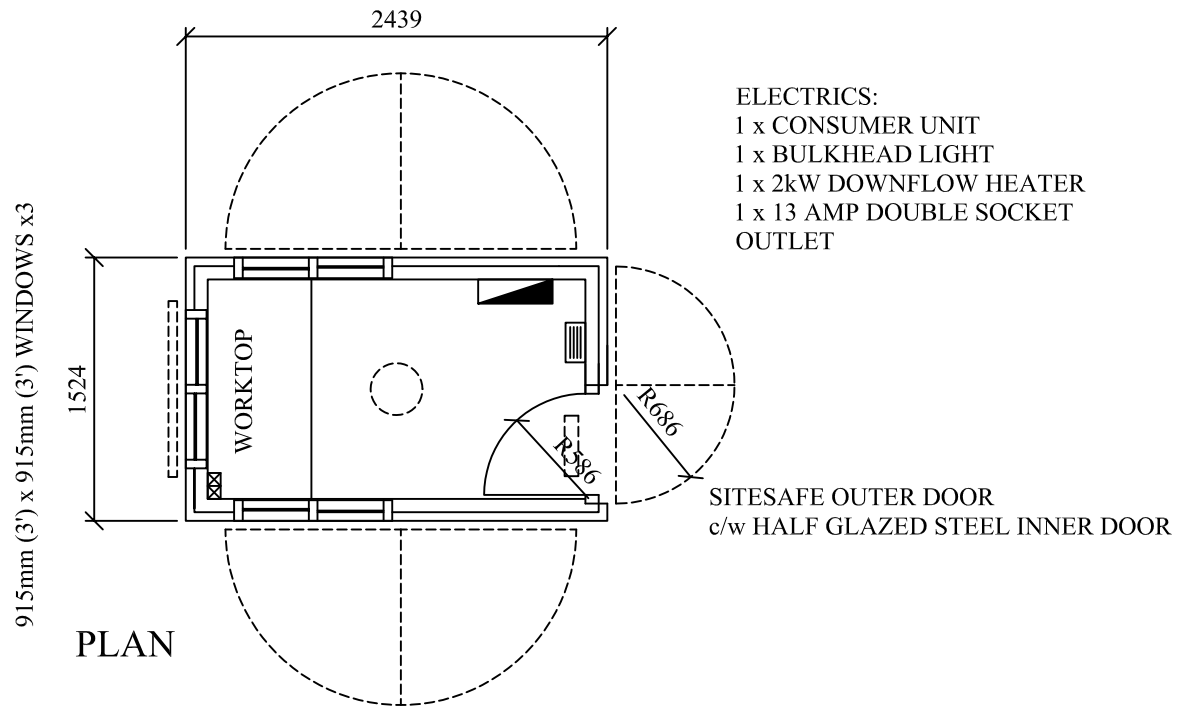
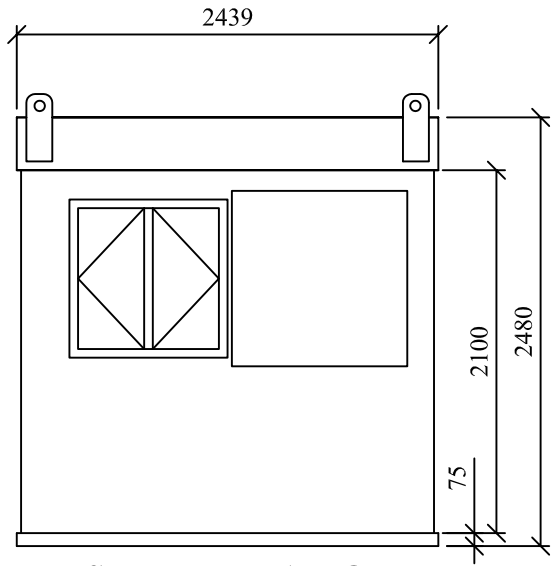


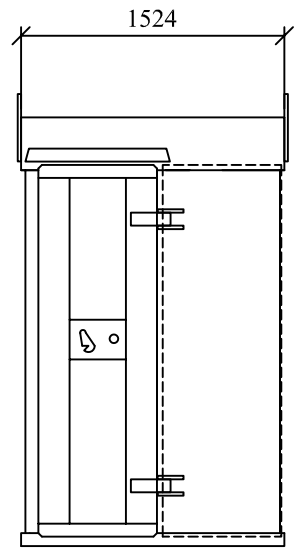
HIGHLY
SECURE
VANDAL RESISTANT



FRONT ELEVATION



SIDE ELEVATION



REAR ELEVATION

| | | | | | | | | |
|--|-------------------------------|--------|------|----|----------|--|-------|-------------|
| DO NOT SCALE REMOVE ALL BURRS AND SHARP EDGES | THIRD ANGLE PROJECTION | REV No | DATE | BY | CUSTOMER | CLEVELAND SITESAFE LIMITED <small>RIVERSIDE WORKS CLEVELAND TS3 RAT 01642 244663</small> | DRAWN | DESCRIPTION |
| | | REV 1 | | | | | JWH | |
| | | REV 2 | | | | | SCALE | |
| | | REV 3 | | | | | DATE | 01/11/2010 |
| | | REV 4 | | | | | | |