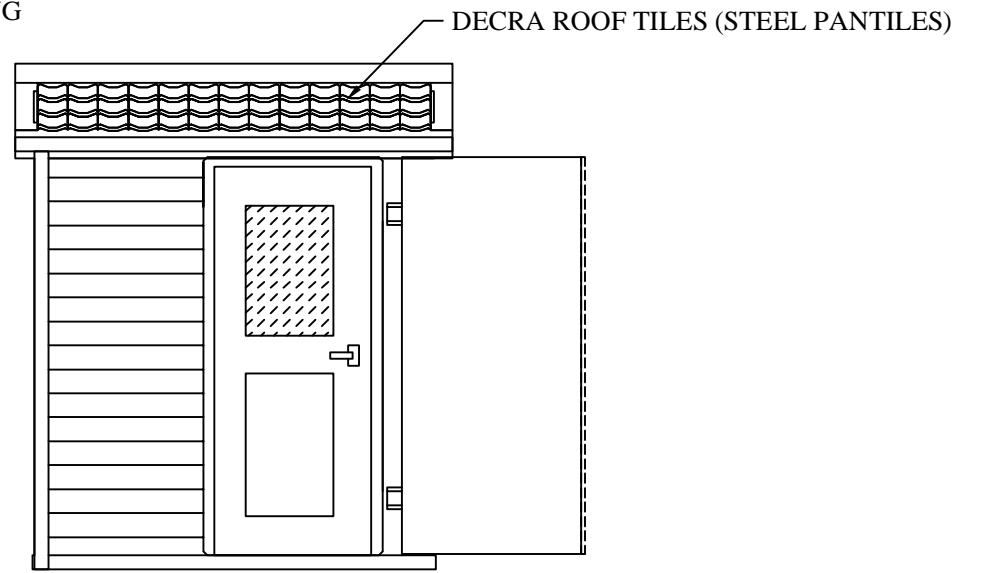
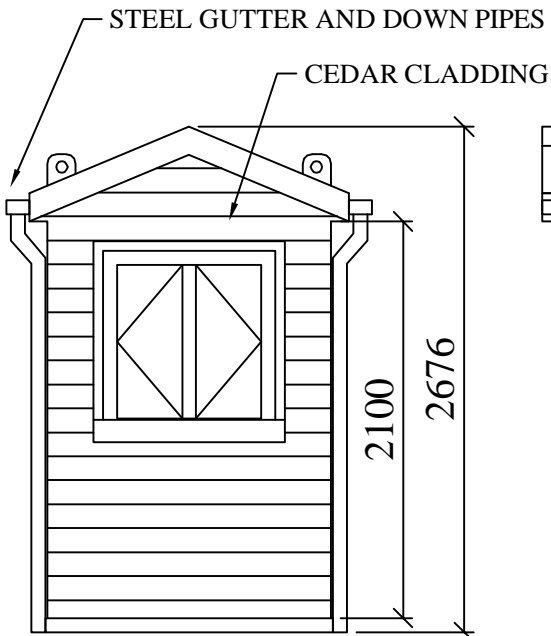
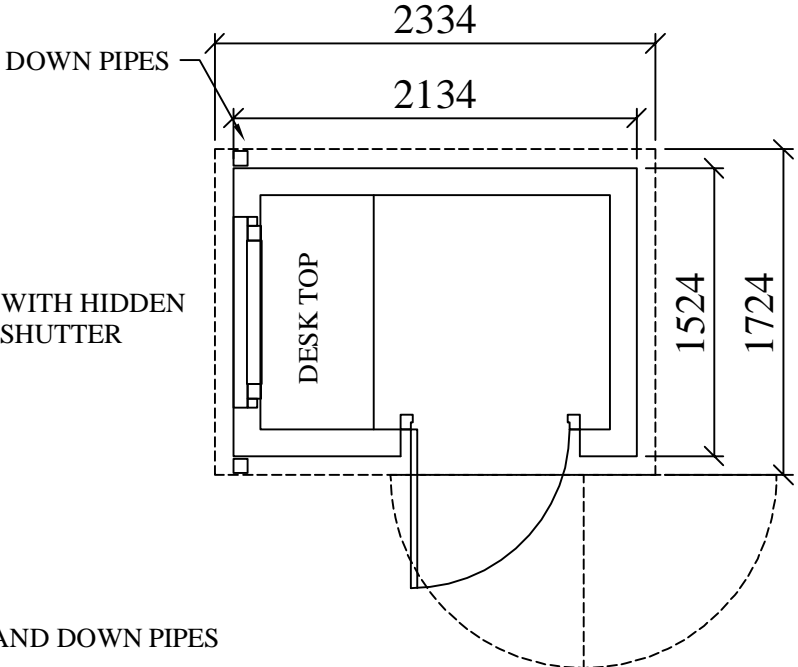


HIGHLY
SECURE
VANDAL RESISTANT



DO NOT SCALE REMOVE ALL BURRS AND SHARP EDGES	THIRD ANGLE PROJECTION	REV No	DATE	BY	CUSTOMER	CLEVELAND SITESAFE LIMITED	DRAWN JWH SCALE	DESCRIPTION APEX SITECAB ATTENDANTS CABIN - CEDAR CLAD
		REV 1						
		REV 2						
		REV 3						
		REV 4				RIVERSIDE WORKS CLEVELAND TSS SAT 01642 244663	DATE 17/01/2014	DRG No JH 3156